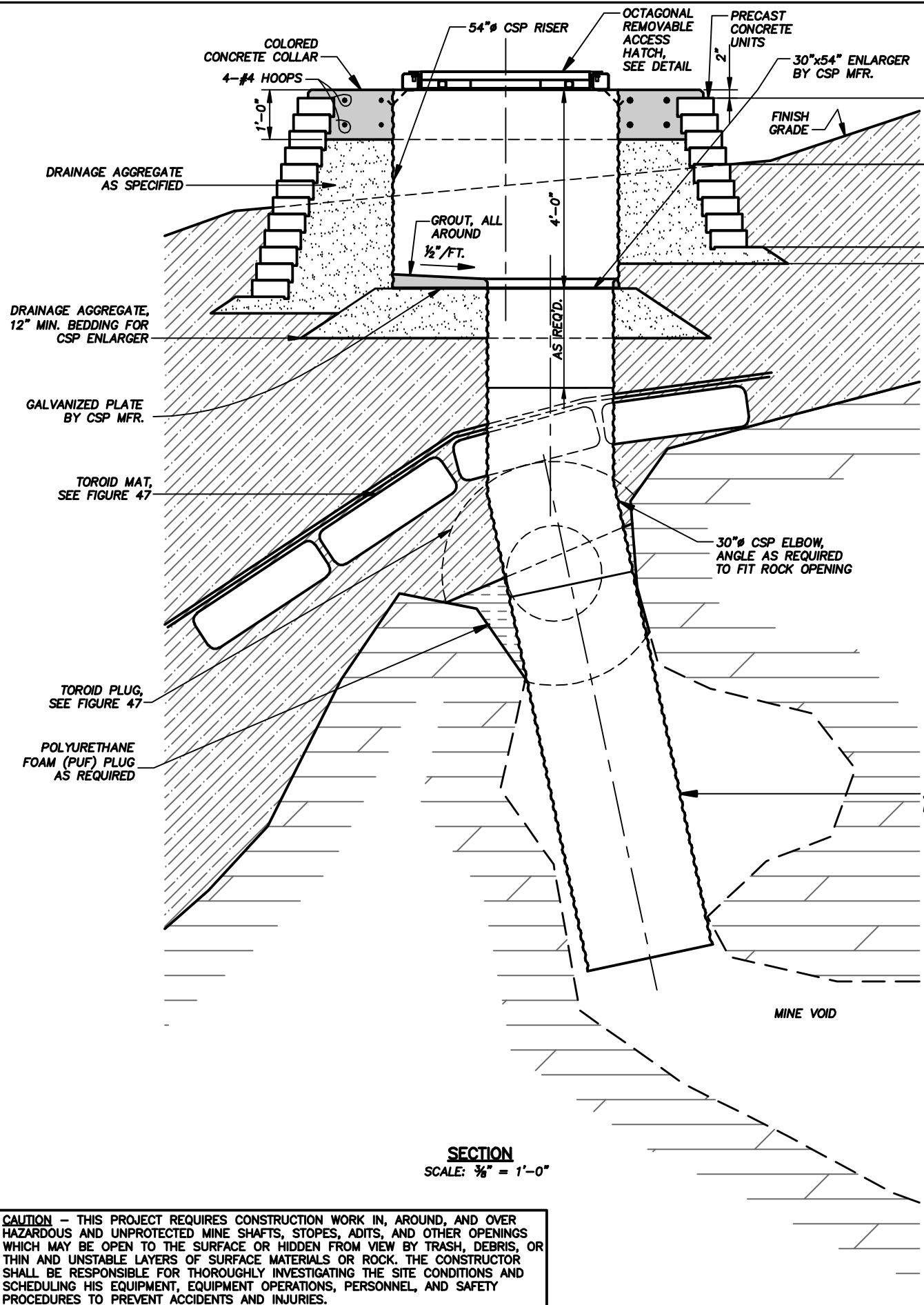
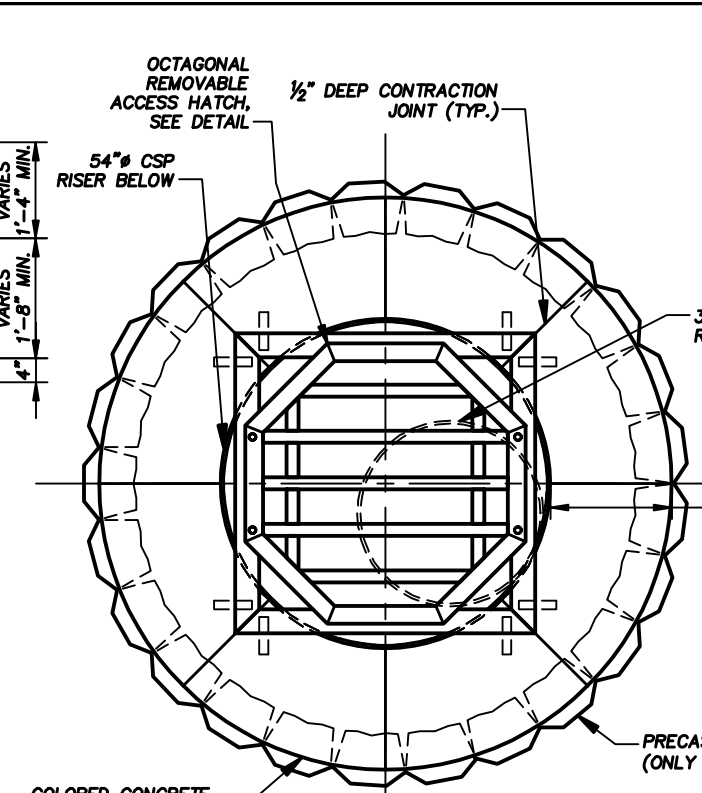


045-005T SHAFT BAT COMPATIBLE.DWG PLOT SCALE 1 = 32

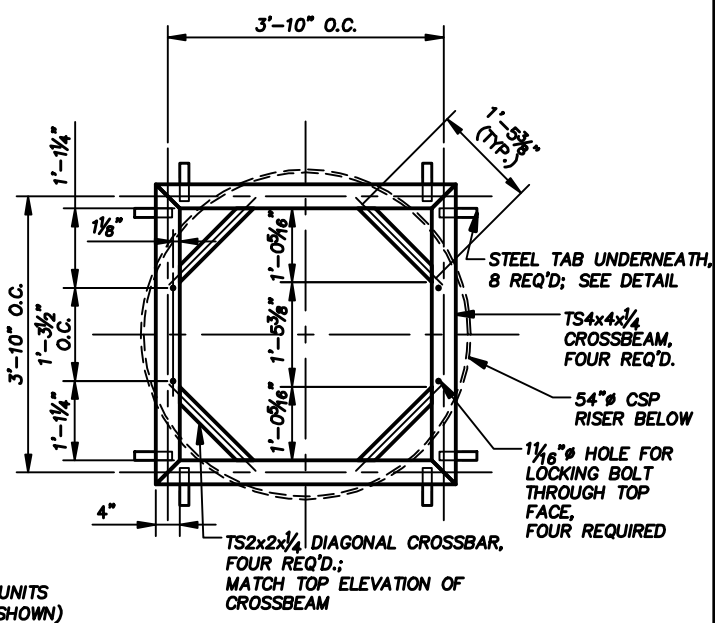


SECTION
SCALE: 3/8" = 1'-0"

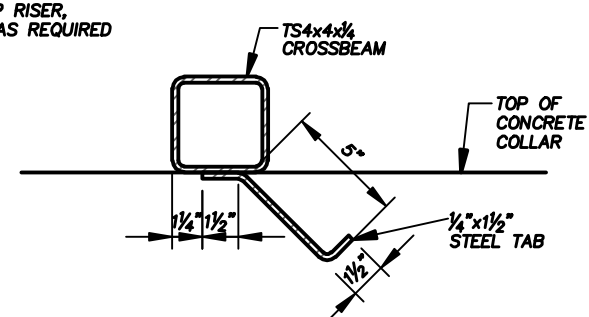
CAUTION - THIS PROJECT REQUIRES CONSTRUCTION WORK IN, AROUND, AND OVER HAZARDOUS AND UNPROTECTED MINE SHAFTS, STOPES, ADITS, AND OTHER OPENINGS WHICH MAY BE OPEN TO THE SURFACE OR HIDDEN FROM VIEW BY TRASH, DEBRIS, OR THIN AND UNSTABLE LAYERS OF SURFACE MATERIALS OR ROCK. THE CONSTRUCTOR SHALL BE RESPONSIBLE FOR THOROUGHLY INVESTIGATING THE SITE CONDITIONS AND SCHEDULING HIS EQUIPMENT, EQUIPMENT OPERATIONS, PERSONNEL, AND SAFETY PROCEDURES TO PREVENT ACCIDENTS AND INJURIES.



PLAN
SCALE: 3/8" = 1'-0"



PLAN - FRAME FOR REMOVABLE HATCH
SCALE: 3/8" = 1'-0"



TYPICAL SECTION - STEEL TAB DETAIL
SCALE: 1/2" = 1'-0"

GENERAL NOTES:

1. THIS DRAWING SHOWS THE GENERAL SHAPES AND APPROXIMATE SIZES OF THE MINE OPENINGS AND THE CORRESPONDING LAYOUTS OF THE BAT COMPATIBLE CLOSURE AND RISER PIPES. THE DRAWING SHALL BE USED AS A GUIDE FOR FIELD LAYOUT. DETERMINE THE ACTUAL LAYOUTS AND DIMENSIONS OF THE CLOSURES IN THE FIELD PRIOR TO FABRICATION.
2. USING A COMPRESSED AIR LANCE OR EQUIVALENT, REMOVE DIRT AND LOOSE ROCK FROM ALL SURFACES AGAINST WHICH POLYURETHANE FOAM (PUF) WILL BE PLACED. PLACE PUF AGAINST CLEAN, DRY SURFACES.
3. STEEL PLATES, SHAPES AND BARS SHALL BE WEATHERING STEEL. WELD ALL JOINTS. CONSTRUCT THE AIRFLOW CLOSURE ASSEMBLY TO ELIMINATE SURFACES ON WHICH MOISTURE OR DEBRIS CAN BE TRAPPED. PLYS OF MATERIAL SHALL BE TIGHT TO PREVENT THE INCURSION OF MOISTURE. ALL TUBULAR MEMBERS SHALL BE HERMETICALLY SEALED TO PREVENT THE INCURSION OF MOISTURE, EXCEPT AS OTHERWISE NOTED. ROUND OR CHAMFER ALL EXPOSED SHARP CORNERS AND EDGES.
4. MINIMIZE THE AMOUNT OF ROCK, TIMBER AND OTHER DEBRIS THAT FALL INTO THE MINE OPENINGS DURING CONSTRUCTION.
5. THOROUGHLY COMPACT ALL FILL UNDERNEATH THE PRECAST CONCRETE MASONRY UNITS AND CONCRETE COLLAR.
6. INSTALL PRECAST CONCRETE UNITS AS SPECIFIED, INCLUDING APPLICATION OF SPECIFIED CONSTRUCTION ADHESIVE AT THE TOP TWO COURSES.
7. SLOPE THE FINISH GRADE TO DRAIN STORM WATER AWAY FROM THE COLLAR.

ABANDONED MINE LAND PROGRAM MINING AND MINERALS DIVISION		
ENERGY, MINERALS AND NATURAL RESOURCES DEPARTMENT		
SCALE: AS SHOWN	CAROLINA LODE	DRAWN BY: JAK/JRS
DATE: JAN. 23, 2007		REVISED:
BAT COMPATIBLE CLOSURE AT FEATURE 045-005Tb SHAFT		
LAKE VALLEY MINE SAFEGUARD PROJECT - PHASE II		DRAWING NUMBER: FIGURE 13