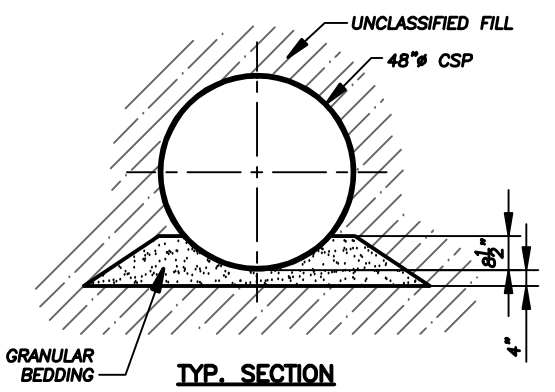
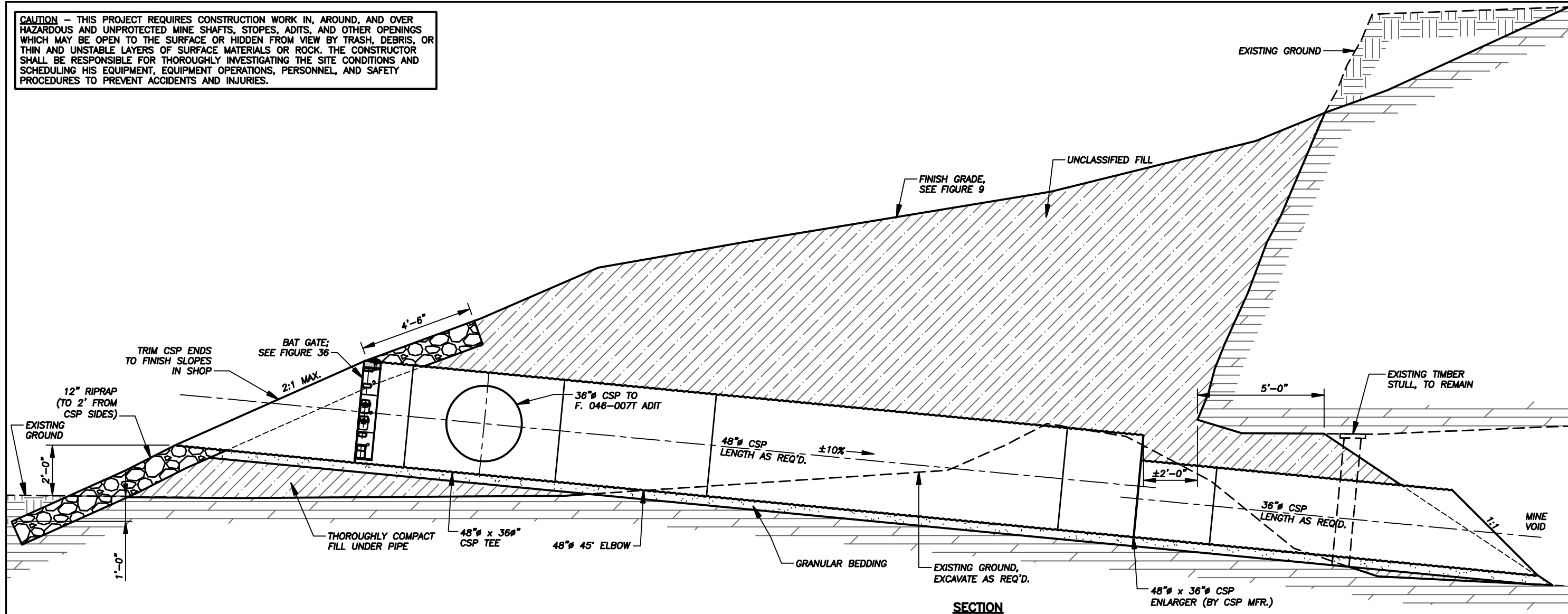


CAUTION - THIS PROJECT REQUIRES CONSTRUCTION WORK IN, AROUND, AND OVER HAZARDOUS AND UNPROTECTED MINE SHAFTS, STOPES, ADITS, AND OTHER OPENINGS WHICH MAY BE OPEN TO THE SURFACE OR HIDDEN FROM VIEW BY TRASH, DEBRIS, OR THIN AND UNSTABLE LAYERS OF SURFACE MATERIALS OR ROCK. THE CONSTRUCTOR SHALL BE RESPONSIBLE FOR THOROUGHLY INVESTIGATING THE SITE CONDITIONS AND SCHEDULING HIS EQUIPMENT, EQUIPMENT OPERATIONS, PERSONNEL, AND SAFETY PROCEDURES TO PREVENT ACCIDENTS AND INJURIES.



- GENERAL NOTES:**
1. THE SHAPE AND DIMENSIONS SHOWN AT THE EXISTING ADIT OPENING ARE APPROXIMATE. FIELD VERIFY DIMENSIONS PRIOR TO FABRICATION.
 2. DESTROY EXPOSED THREADS ON ALL BOLTS.
 3. THE INDICATED BEDROCK LOCATIONS ARE APPROXIMATE. THE BEDROCK SURFACE MAY BE ROUGH AND VARIABLE IN DEPTH.
 4. SEE THE PLAN OF THE CAROLINA LODE WEST STOPES FOR GRADING AND CSP LAYOUT.

ABANDONED MINE LAND PROGRAM MINING AND MINERALS DIVISION		
ENERGY, MINERALS AND NATURAL RESOURCES DEPARTMENT		
SCALE: 1/4" = 1'-0"	CAROLINA LODE	DRAWN BY: JAK/JRS
DATE: MARCH 30, 2006		REVISED:
BAT GATE AT FEATURE 045-026T ADIT		
LAKE VALLEY MINE SAFEGUARD PROJECT - PHASE II		DRAWING NUMBER: FIGURE 14

045-026T ADIT BAT GATE CSP.DWG PLOT SCALE 1 = 48