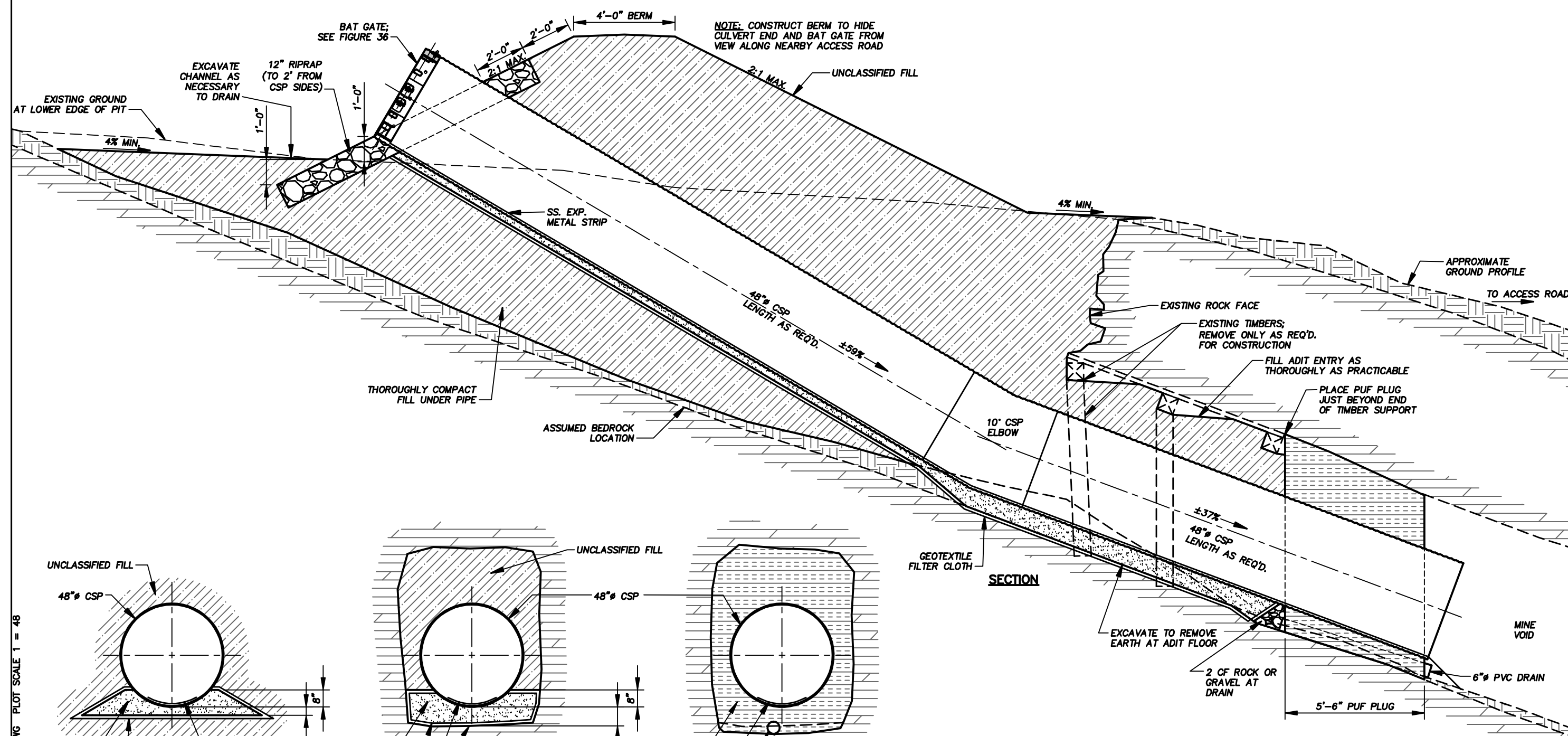
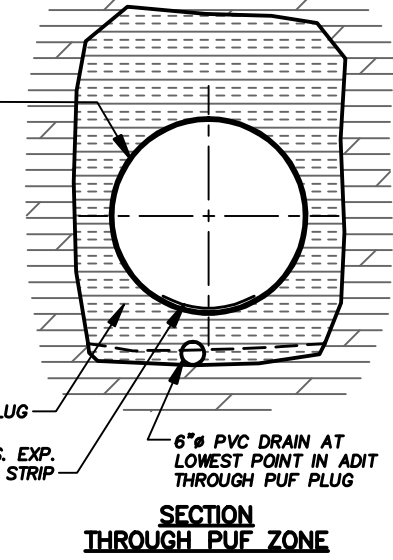
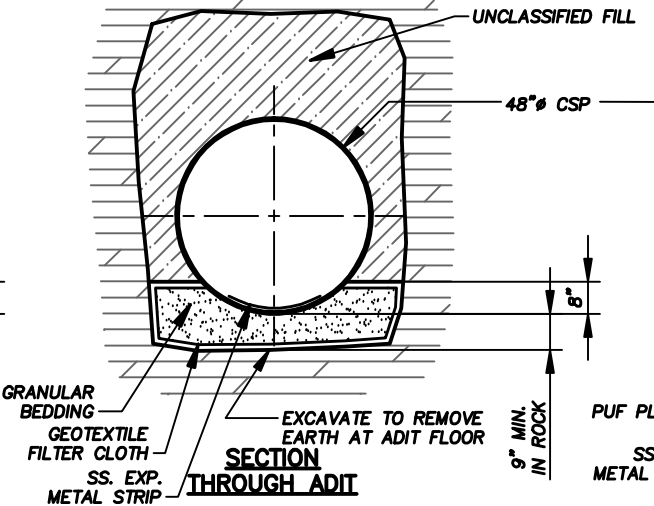
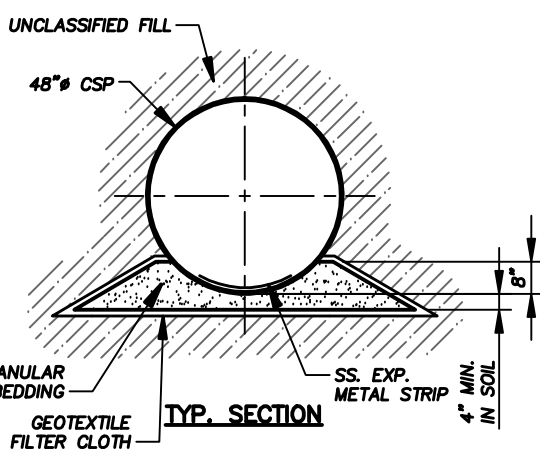


**CAUTION** - THIS PROJECT REQUIRES CONSTRUCTION WORK IN, AROUND, AND OVER HAZARDOUS AND UNPROTECTED MINE SHAFTS, STOPES, ADITS, AND OTHER OPENINGS WHICH MAY BE OPEN TO THE SURFACE OR HIDDEN FROM VIEW BY TRASH, DEBRIS, OR THIN AND UNSTABLE LAYERS OF SURFACE MATERIALS OR ROCK. THE CONSTRUCTOR SHALL BE RESPONSIBLE FOR THOROUGHLY INVESTIGATING THE SITE CONDITIONS AND SCHEDULING HIS EQUIPMENT, EQUIPMENT OPERATIONS, PERSONNEL, AND SAFETY PROCEDURES TO PREVENT ACCIDENTS AND INJURIES.



NOTE: CONSTRUCT BERM TO HIDE CULVERT END AND BAT GATE FROM VIEW ALONG NEARBY ACCESS ROAD



**GENERAL NOTES:**

1. THE SHAPE AND DIMENSIONS SHOWN AT THE EXISTING DECLINE ADIT OPENING ARE APPROXIMATE. FIELD VERIFY DIMENSIONS PRIOR TO FABRICATION.
2. DESTROY EXPOSED THREADS ON ALL BOLTS.
3. USING A COMPRESSED AIR LANCE OR EQUIVALENT, REMOVE DIRT AND LOOSE ROCK FROM ALL ROCK SURFACES AGAINST WHICH POLYURETHANE FOAM (PUF) WILL BE PLACED. PLACE PUF AGAINST CLEAN, DRY SURFACES.
4. BACKFILL THE ADJACENT BLIND DRIFT AT THE PORTAL AS SPECIFIED.

<b>ABANDONED MINE LAND PROGRAM MINING AND MINERALS DIVISION</b>		
ENERGY, MINERALS AND NATURAL RESOURCES DEPARTMENT		
SCALE: 1/4" = 1'-0"	EMPORIA LODE	DRAWN BY: JAK/JRS
DATE: OCT. 12, 2006		REVISED:
<b>BAT GATE AT FEATURE 047-016T DECLINE ADIT</b>		
LAKE VALLEY MINE SAFEGUARD PROJECT - PHASE II		DRAWING NUMBER: <b>FIGURE 29</b>

047-016T DECLINE ADIT BAT GATE.DWG PLOT SCALE 1 = 48