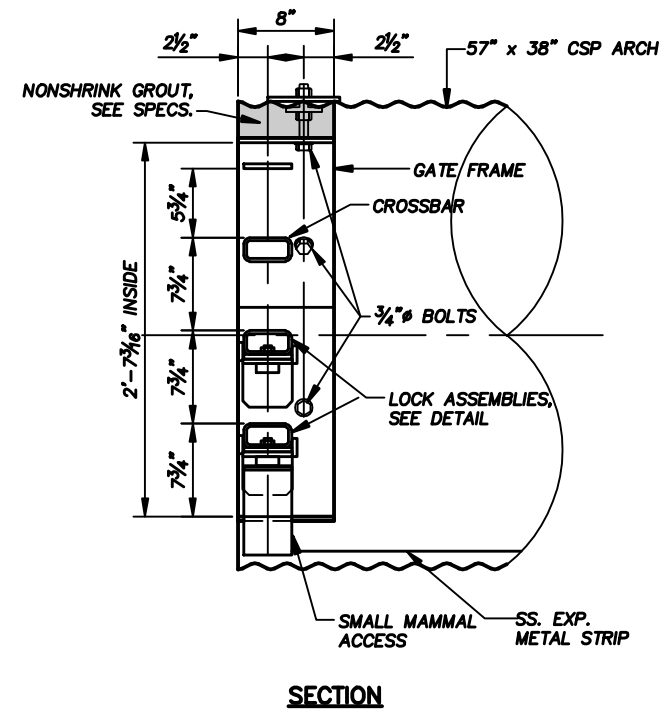
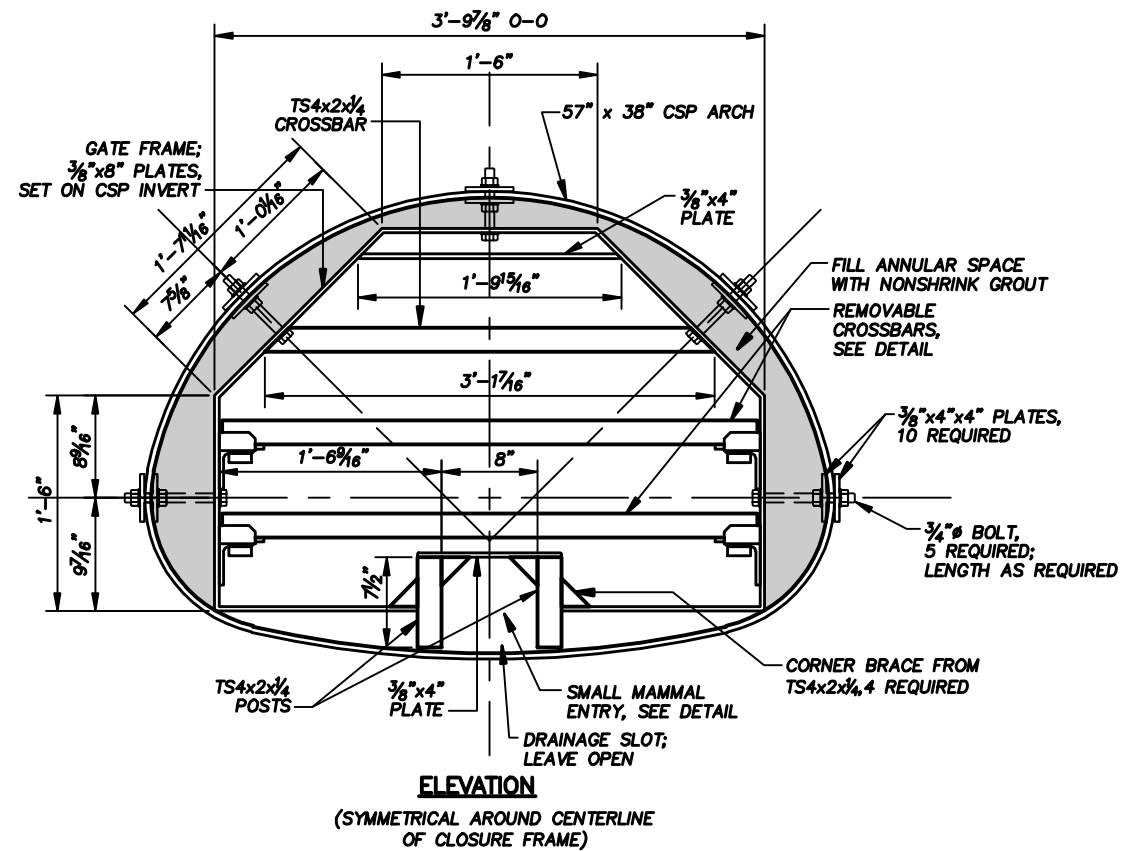


047-028T, 047-0290C BAT GATE DETAILS.DWG PLOT SCALE 1 = 24



**GENERAL NOTES:**

1. STEEL PLATES AND SHAPES SHALL BE WEATHERING STEEL. WELD ALL JOINTS. CONSTRUCT THE BAT GATE TO ELIMINATE SURFACES ON WHICH MOISTURE OR DEBRIS CAN BE TRAPPED. ALL TUBULAR MEMBERS SHALL BE HERMETICALLY SEALED TO PREVENT THE INCURSION OF MOISTURE, EXCEPT AS OTHERWISE NOTED. ROUND OR CHAMFER ALL EXPOSED SHARP CORNERS AND EDGES.
2. DESTROY EXPOSED THREADS ON ALL BOLTS.
3. VERIFY DIMENSIONS OF CSP ARCH FOR FIT WITH BAT GATE PRIOR TO CONSTRUCTION.

<b>ABANDONED MINE LAND PROGRAM MINING AND MINERALS DIVISION</b>		
ENERGY, MINERALS AND NATURAL RESOURCES DEPARTMENT		
SCALE: 3/4" = 1'-0"	EMPORIA LODGE	DRAWN BY: JAK/JRS
DATE: OCT. 12, 2006		REVISED:
<b>BAT GATE DETAILS AT FEATURES 047-028T &amp; 047-0290C ADITS</b>		
LAKE VALLEY MINE SAFEGUARD PROJECT - PHASE II		DRAWING NUMBER: <b>FIGURE 32</b>