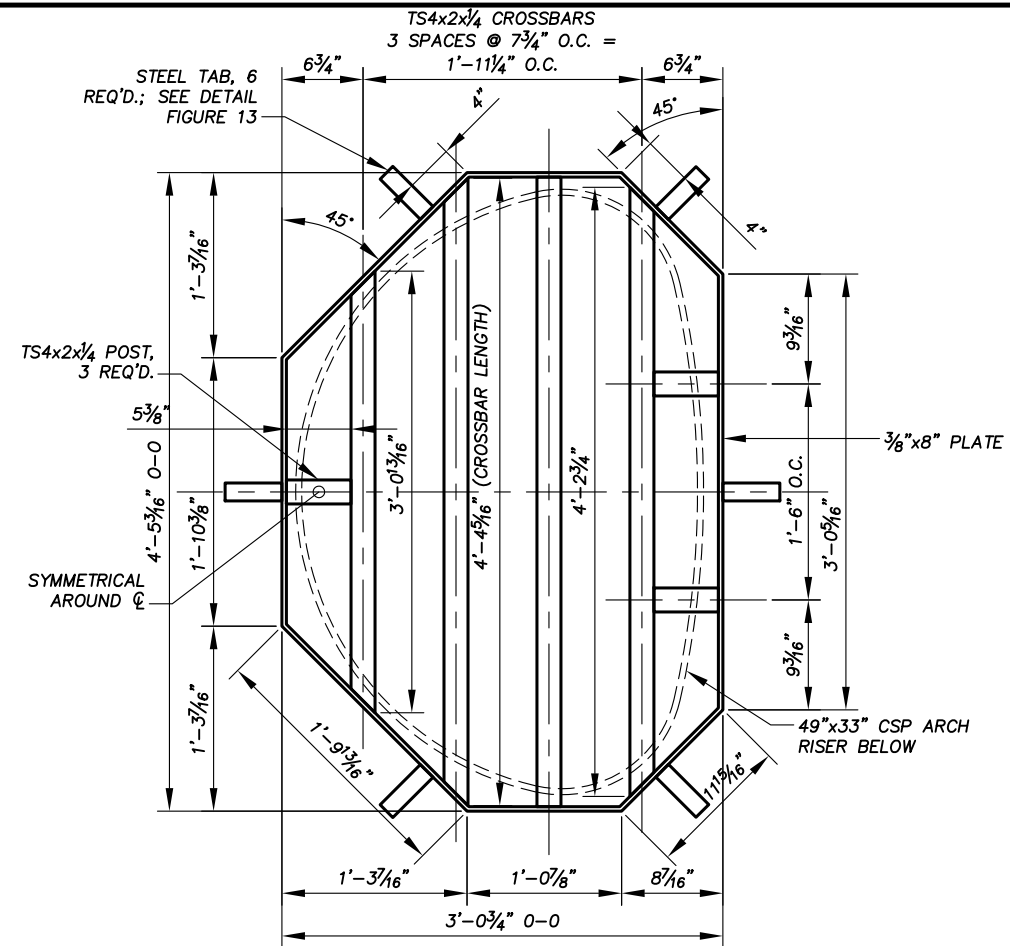


PLAN

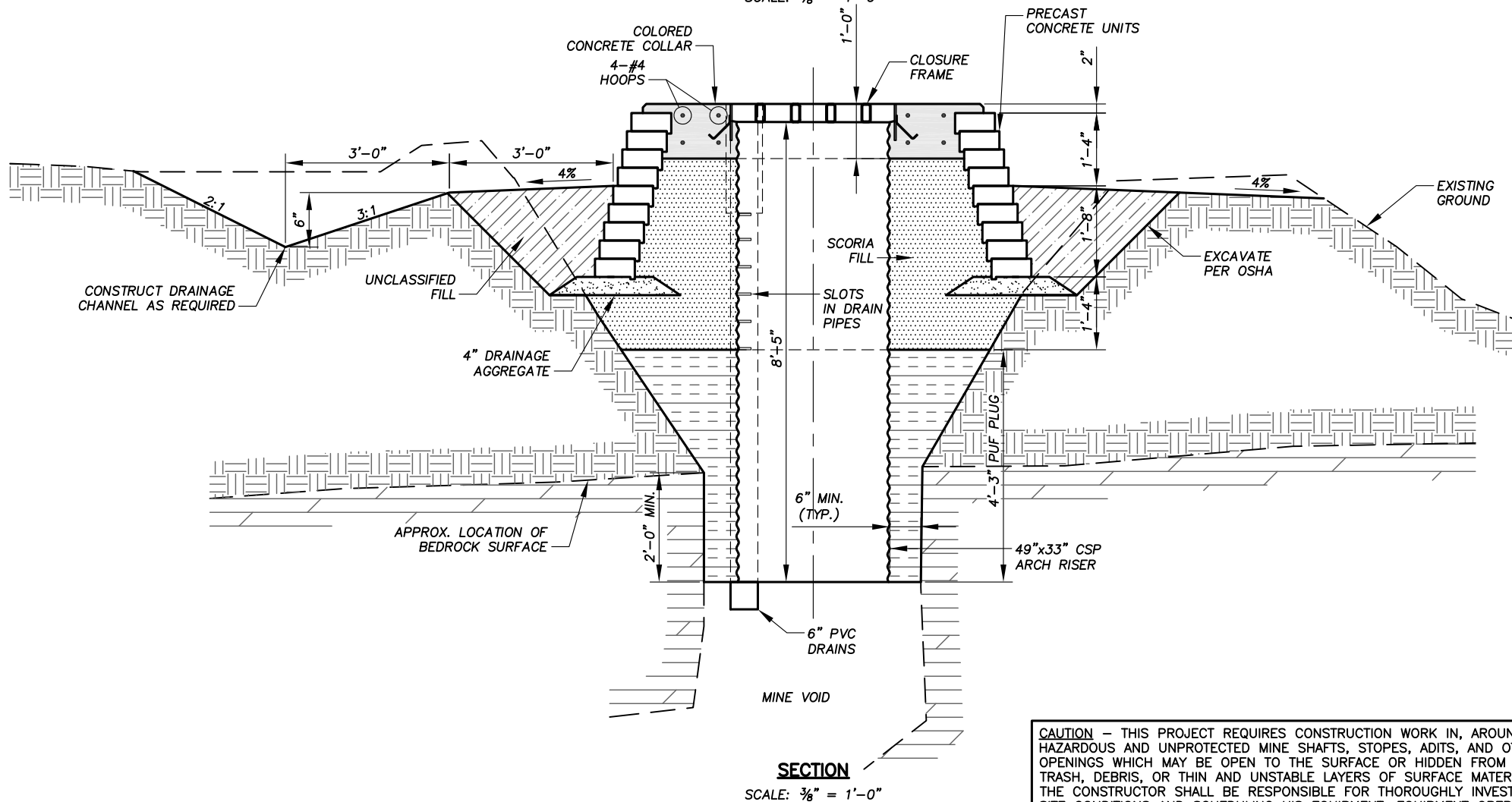
SCALE: 3/8" = 1'-0"



CLOSURE FRAME ASSEMBLY

SCALE: 3/4" = 1'-0"

- GENERAL NOTES:**
- THIS DRAWING SHOWS THE GENERAL SHAPE AND APPROXIMATE SIZE OF THE MINE OPENING AND THE CORRESPONDING LAYOUTS OF THE BAT COMPATIBLE CLOSURE AND ARCH RISER PIPE. THE DRAWING SHALL BE USED AS A GUIDE FOR FIELD LAYOUT. DETERMINE THE ACTUAL LAYOUT AND DIMENSIONS OF THE CLOSURE IN THE FIELD PRIOR TO FABRICATION.
 - USING A COMPRESSED AIR LANCE OR EQUIVALENT, REMOVE DIRT AND LOOSE ROCK FROM ALL SURFACES AGAINST WHICH POLYURETHANE FOAM (PUF) WILL BE PLACED. PLACE PUF AGAINST CLEAN, DRY SURFACES.
 - STEEL PLATES, SHAPES AND BARS SHALL BE WEATHERING STEEL. WELD ALL JOINTS. CONSTRUCT THE CLOSURE FRAME ASSEMBLY TO ELIMINATE SURFACES ON WHICH MOISTURE OR DEBRIS CAN BE TRAPPED. PLIES OF MATERIAL SHALL BE TIGHT TO PREVENT THE INCURSION OF MOISTURE. ALL TUBULAR MEMBERS SHALL BE HERMETICALLY SEALED TO PREVENT THE INCURSION OF MOISTURE. EXCEPT AS OTHERWISE NOTE, ROUND OR CHAMFER ALL EXPOSED SHARP CORNERS AND EDGES.
 - MINIMIZE THE AMOUNT OF ROCK, TIMBER AND OTHER DEBRIS THAT FALLS INTO THE MINE OPENING DURING CONSTRUCTION.
 - THOROUGHLY COMPACT ALL FILL UNDERNEATH THE PRECAST CONCRETE MASONRY UNITS AND CONCRETE COLLAR. PLACE SCORIA AND DRAINAGE AGGREGATE IN NOT MORE THAN SIX-INCH LAYERS AND COMPACT BY SLICING WITH A SHOVEL OR VIBRATING.
 - FILL THE ANNULAR SPACE BETWEEN THE CLOSURE FRAME AND CSP RISER WITH NON-SHRINK GROUT. SLOPE TOP OF GROUT TO DRAIN INTO CSP.
 - SLOPE THE FINISH GRADE TO DRAIN STORM WATER AWAY FROM THE COLLAR.



SECTION

SCALE: 3/8" = 1'-0"

CAUTION - THIS PROJECT REQUIRES CONSTRUCTION WORK IN, AROUND, AND OVER HAZARDOUS AND UNPROTECTED MINE SHAFTS, STOPES, ADITS, AND OTHER OPENINGS WHICH MAY BE OPEN TO THE SURFACE OR HIDDEN FROM VIEW BY TRASH, DEBRIS, OR THIN AND UNSTABLE LAYERS OF SURFACE MATERIALS OR ROCK. THE CONSTRUCTOR SHALL BE RESPONSIBLE FOR THOROUGHLY INVESTIGATING THE SITE CONDITIONS AND SCHEDULING HIS EQUIPMENT, EQUIPMENT OPERATIONS, PERSONNEL, AND SAFETY PROCEDURES TO PREVENT ACCIDENTS AND INJURIES.

ABANDONED MINE LAND PROGRAM MINING AND MINERALS DIVISION ENERGY, MINERALS AND NATURAL RESOURCES DEPARTMENT		
SCALE: AS SHOWN	COLUMBIA LODE	DRAWN BY: JAK
DATE: DEC. 7, 2008		REVISED:
HORIZONTAL BAT GATE AT FEATURE 049-067S SHAFT		
LAKE VALLEY MINE SAFEGUARD - PH. IV		DRAWING NUMBER: FIGURE 19