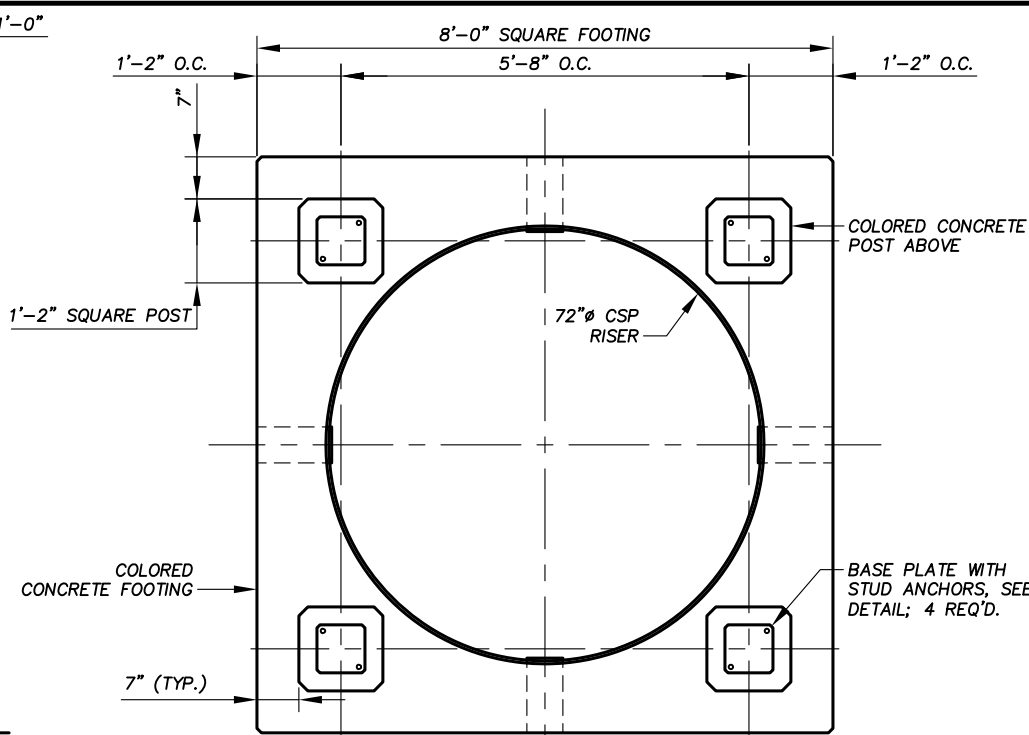
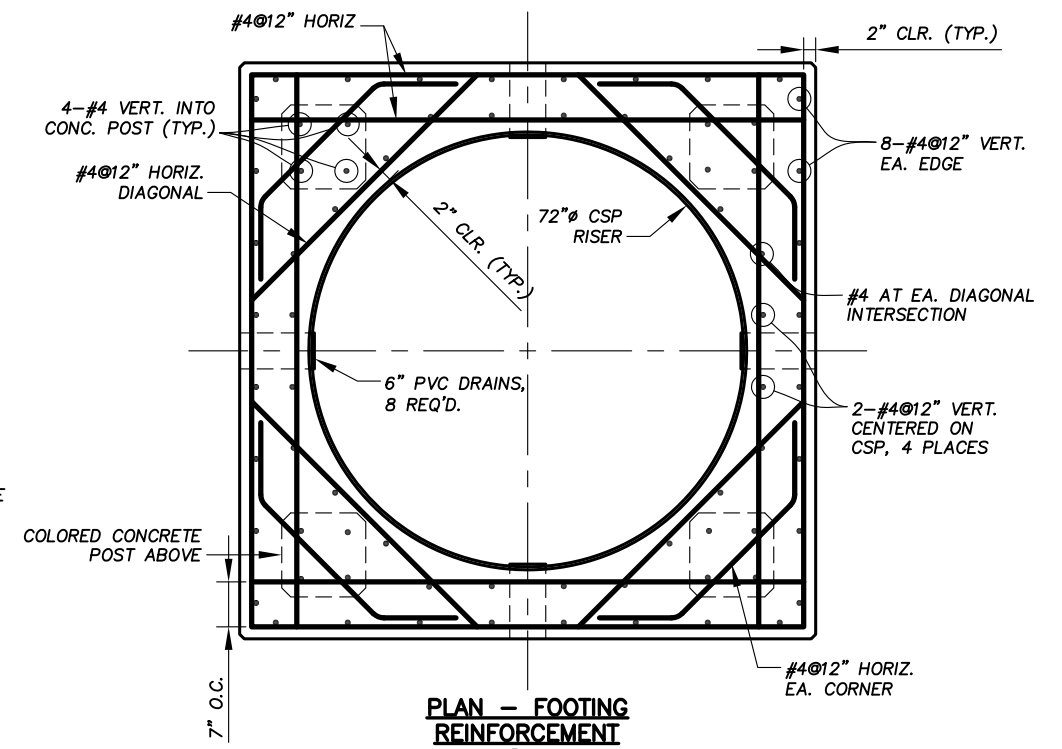


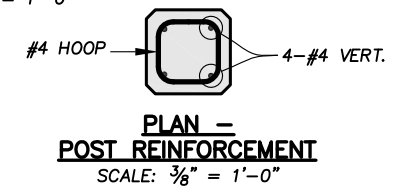
CUPOLA ELEVATION
(TYPICAL ALL 4 SIDES)
SCALE: 3/8" = 1'-0"



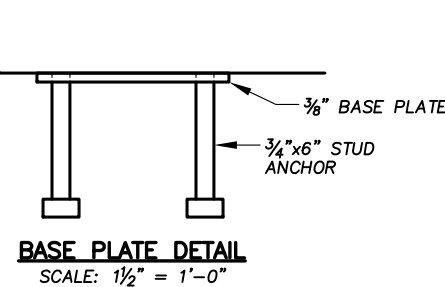
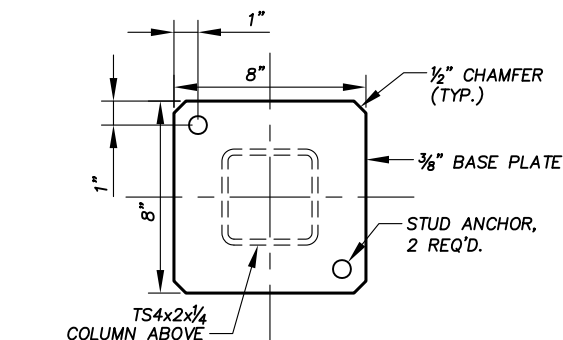
PLAN - CONCRETE FOOTING
SCALE: 3/8" = 1'-0"



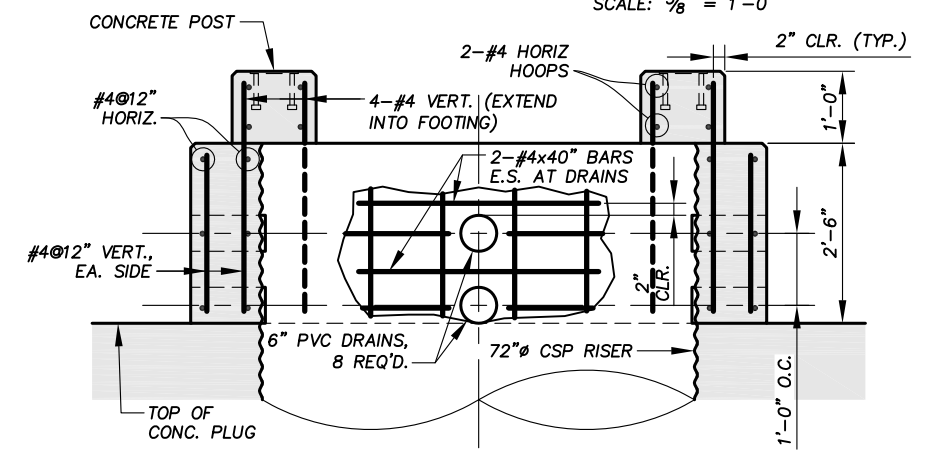
PLAN - FOOTING REINFORCEMENT
SCALE: 3/8" = 1'-0"



PLAN - POST REINFORCEMENT
SCALE: 3/8" = 1'-0"

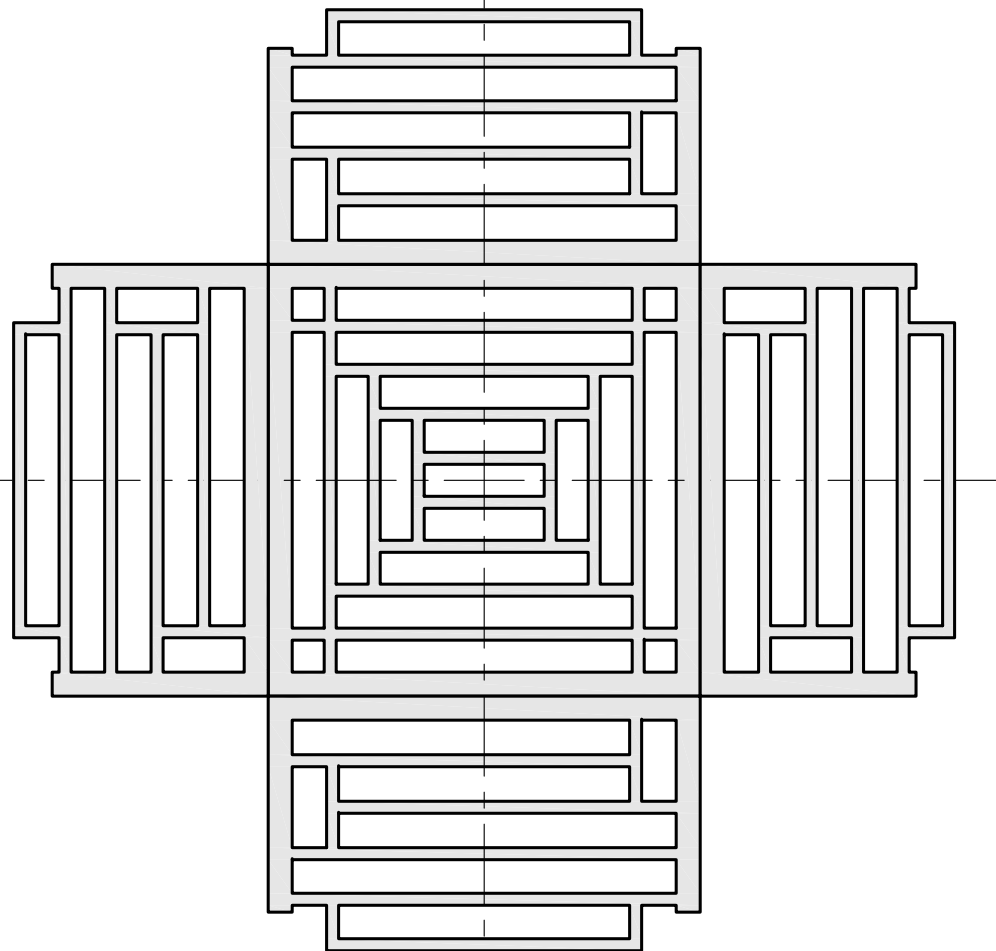


BASE PLATE DETAIL
SCALE: 1/2" = 1'-0"



SECTION - POST AND FOOTING REINFORCEMENT
SCALE: 3/8" = 1'-0"

NOTE: PROVIDE ROUGH CONCRETE SURFACES AT THE CONSTRUCTION JOINTS BETWEEN THE FOOTING AND CONCRETE POSTS.



PLAN - FLATTENED CUPOLA
SCALE: 3/8" = 1'-0"

049-087 CUPOLA DETAILS.DWG (PLOT 2) PLOT SCALE 1 = 32

NOTE: "SONOTUBE" SQUARE CONCRETE FORMS BY SONOCO PRODUCTS COMPANY, O.A.E., MAY BE USED TO FORM THE CONCRETE POSTS. FOLLOW MANUFACTURER'S HANDLING, INSTALLATION AND CONCRETE PLACEMENT INSTRUCTIONS.

| | | |
|--|---------------|----------------------------------|
| ABANDONED MINE LAND PROGRAM MINING AND MINERALS DIVISION ENERGY, MINERALS AND NATURAL RESOURCES DEPARTMENT | | |
| SCALE: AS SHOWN | COLUMBIA LODE | DRAWN BY: JAK |
| DATE: DEC. 11, 2007 | | REVISED: |
| DETAILS AT FEATURE 049-087S SHAFT | | |
| LAKE VALLEY MINE SAFEGUARD PROJECT - PH. IV | | DRAWING NUMBER: FIGURE 24 |