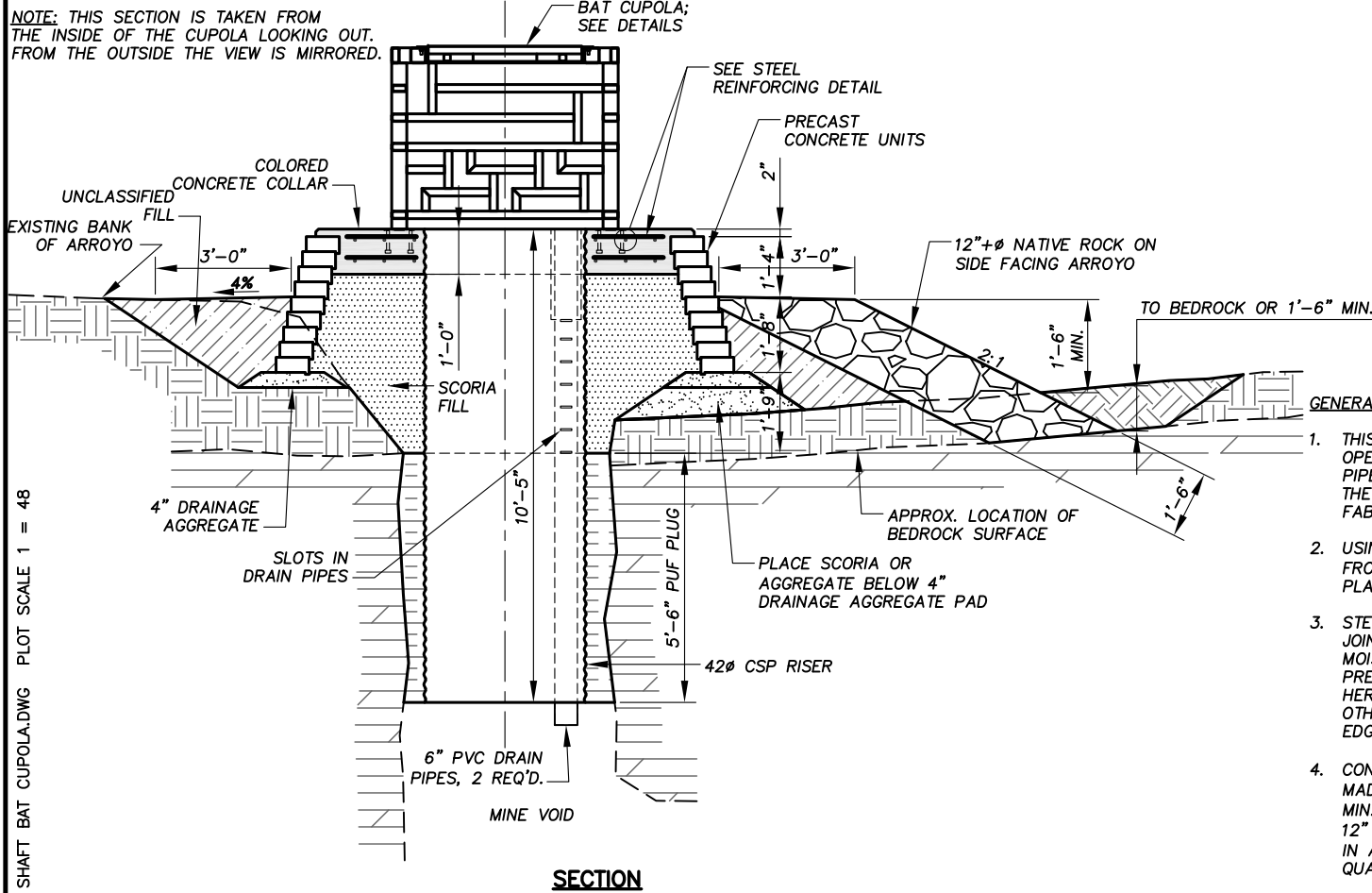
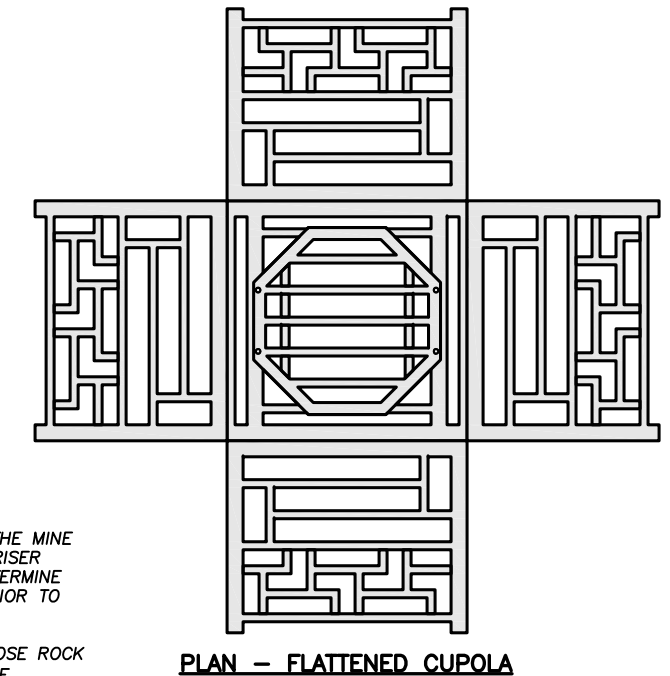
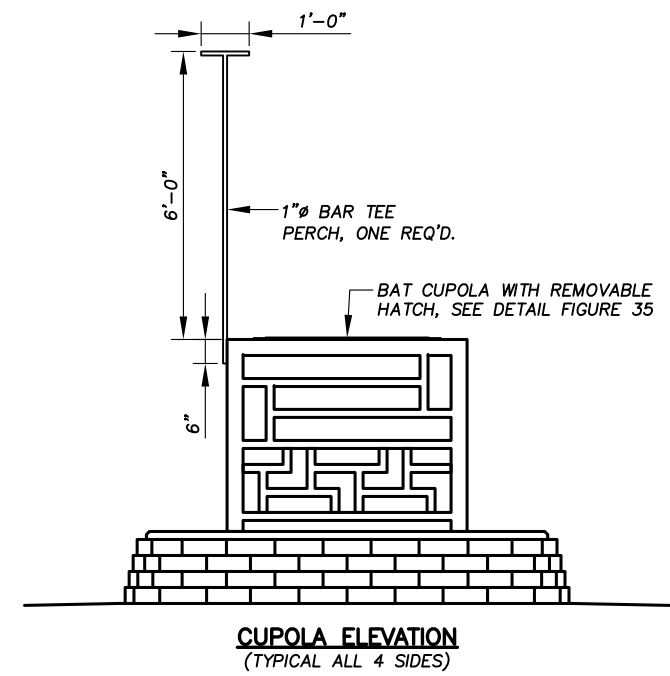
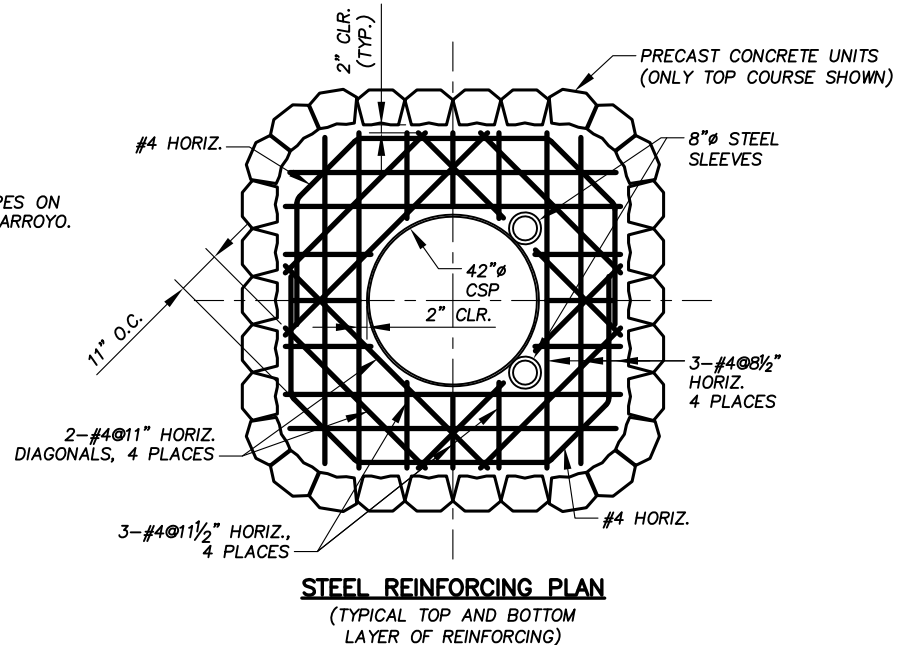
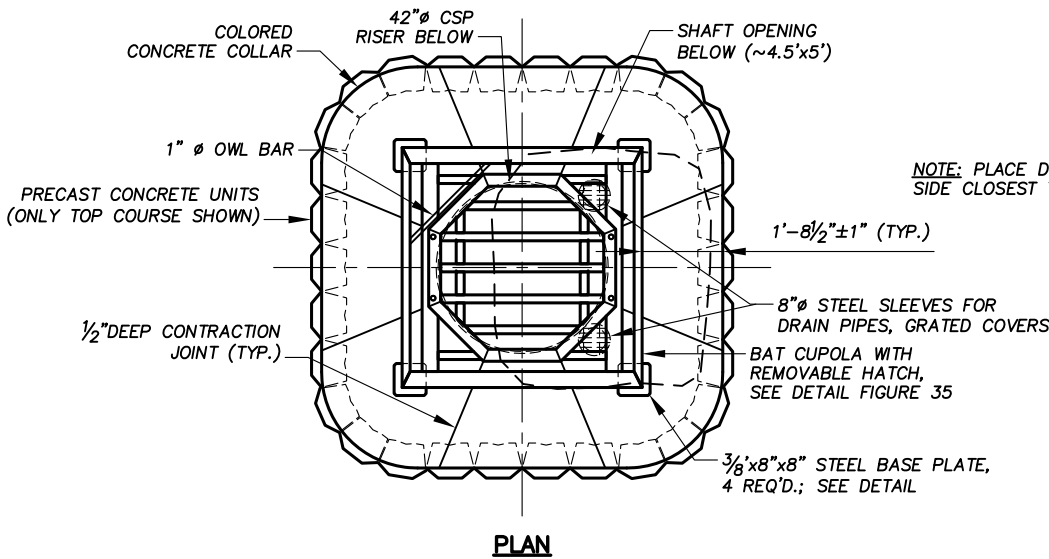


CAUTION - THIS PROJECT REQUIRES CONSTRUCTION WORK IN, AROUND, AND OVER HAZARDOUS AND UNPROTECTED MINE SHAFTS, STOPES, ADITS, AND OTHER OPENINGS WHICH MAY BE OPEN TO THE SURFACE OR HIDDEN FROM VIEW BY TRASH, DEBRIS, OR THIN AND UNSTABLE LAYERS OF SURFACE MATERIALS OR ROCK. THE CONSTRUCTOR SHALL BE RESPONSIBLE FOR THOROUGHLY INVESTIGATING THE SITE CONDITIONS AND SCHEDULING HIS EQUIPMENT, EQUIPMENT OPERATIONS, PERSONNEL, AND SAFETY PROCEDURES TO PREVENT ACCIDENTS AND INJURIES.



- GENERAL NOTES:**
1. THIS DRAWING SHOWS THE GENERAL SHAPE AND APPROXIMATE SIZE OF THE MINE OPENING AND THE CORRESPONDING LAYOUTS OF THE BAT CUPOLA AND RISER PIPE. THE DRAWING SHALL BE USED AS A GUIDE FOR FIELD LAYOUT. DETERMINE THE ACTUAL LAYOUT AND DIMENSIONS OF THE CLOSURE IN THE FIELD PRIOR TO FABRICATION.
 2. USING A COMPRESSED AIR LANCE OR EQUIVALENT, REMOVE DIRT AND LOOSE ROCK FROM ALL SURFACES AGAINST WHICH POLYURETHANE FOAM (PUF) WILL BE PLACED. PLACE PUF AGAINST CLEAN, DRY SURFACES.
 3. STEEL PLATES, SHAPES AND BARS SHALL BE WEATHERING STEEL. WELD ALL JOINTS. CONSTRUCT THE BAT CUPOLA TO ELIMINATE SURFACES ON WHICH MOISTURE OR DEBRIS CAN BE TRAPPED. PLIES OF MATERIAL SHALL BE TIGHT TO PREVENT THE INCURSION OF MOISTURE. ALL TUBULAR MEMBERS SHALL BE HERMETICALLY SEALED TO PREVENT THE INCURSION OF MOISTURE. EXCEPT AS OTHERWISE NOTED, ROUND OR CHAMFER ALL EXPOSED SHARP CORNERS AND EDGES.
 4. CONSTRUCT A BAR TEE PERCH (NOT SHOWN IN ALL VIEWS). PERCH SHALL BE MADE FROM 1" Ø ROUND BAR WELDED TO ONE CORNER OF THE CUPOLA (FOR A MIN. 6" LENGTH) AND SHALL EXTEND 6' ABOVE THE TOP OF THE CUPOLA. WELD A 12" CROSSBAR AT THE TOP TO FORM A "T". BARS SHALL BE WEATHERING STEEL. IN ADDITION, WELD A 1" Ø BAR INSIDE THE CUPOLA TO ACT AS A PERCH ON ONE QUARTER OF THE MINE OPENING AS SHOWN IN THE PLAN VIEW.
 5. MINIMIZE THE AMOUNT OF ROCK, TIMBER AND OTHER DEBRIS THAT FALLS INTO THE MINE OPENING DURING CONSTRUCTION.
 6. THOROUGHLY COMPACT ALL FILL UNDERNEATH THE PRECAST CONCRETE MASONRY UNITS AND CONCRETE COLLAR. PLACE SCORIA AND DRAINAGE AGGREGATE IN NOT MORE THAN SIX-INCH LAYERS AND COMPACT BY SLICING WITH A SHOVEL OR VIBRATING.
 7. SLOPE THE FINISH GRADE TO DRAIN STORM WATER AWAY FROM THE COLLAR.

052-046 BELLA#1 SHAFT BAT CUPOLA.DWG PLOT SCALE 1 = 48

ABANDONED MINE LAND PROGRAM		
MINING AND MINERALS DIVISION		
ENERGY, MINERALS AND NATURAL RESOURCES DEPARTMENT		
SCALE: 1/4" = 1'-0"	LAST CHANCE LODGE	DRAWN BY: JAK
DATE: DEC. 14, 2007		REVISED:
BAT CUPOLA AT FEATURE 052-046S SHAFT		
LAKE VALLEY MINE SAFEGUARD PROJECT - PH. IV		DRAWING NUMBER: FIGURE 28