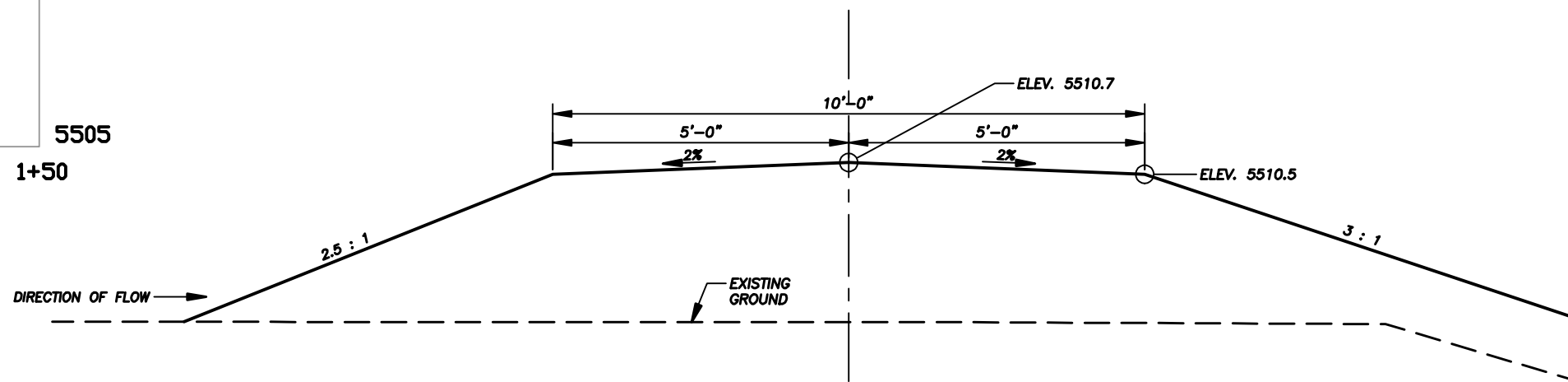
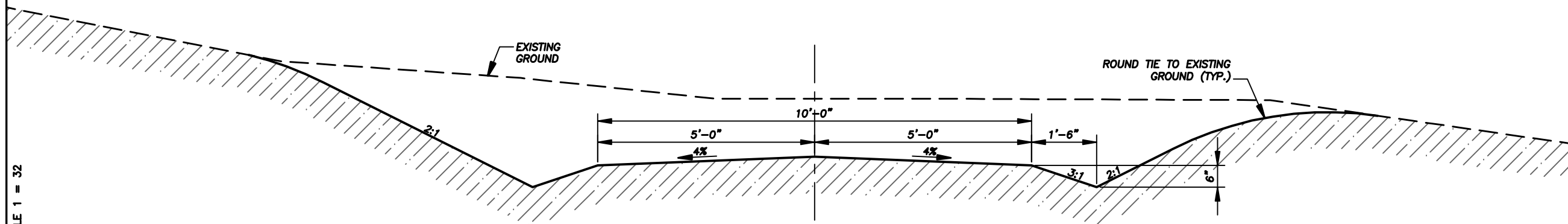


**Ⓞ BERM PROFILE**  
 VERTICAL SCALE: 1" = 3'  
 HORIZONTAL SCALE: 1" = 30'



**TYPICAL BERM CROSS-SECTION**  
 SCALE: 3/8" = 1'-0"



**TYPICAL SECTION ROAD RECONSTRUCTION**  
 SCALE: 3/8" = 1'-0"

ROAD SECTION.DWG PLOT SCALE 1 = 32

<b>ABANDONED MINE LAND PROGRAM</b>	
<b>MINING AND MINERALS DIVISION</b>	
ENERGY, MINERALS AND NATURAL RESOURCES DEPARTMENT	
SCALE: AS SHOWN	DRAWN BY: JAK/JRS
DATE: MAR. 17, 2008	REVISED:
<b>DETAILS - BERM CONSTRUCTION &amp; ROAD RECONSTRUCTION</b>	
LAKE VALLEY MINE SAFEGUARD PROJECT - PHASE III	DRAWING NUMBER: <b>FIGURE 15</b>