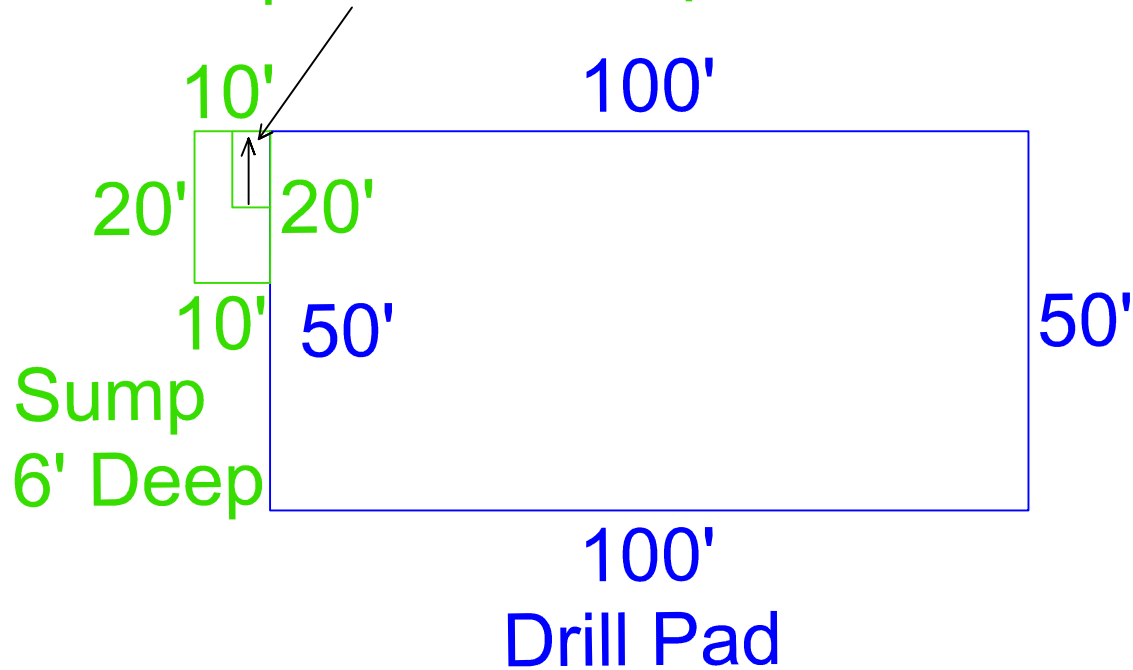


Ramp out of Sump for Safety, 5'x10', 30° Slope



Bonaventure Nevada Inc.

SUGAR LOAF PROJECT  
**D: Drill Site Layout and Size**  
Grant County, New Mexico

0 50  
Scale in Feet