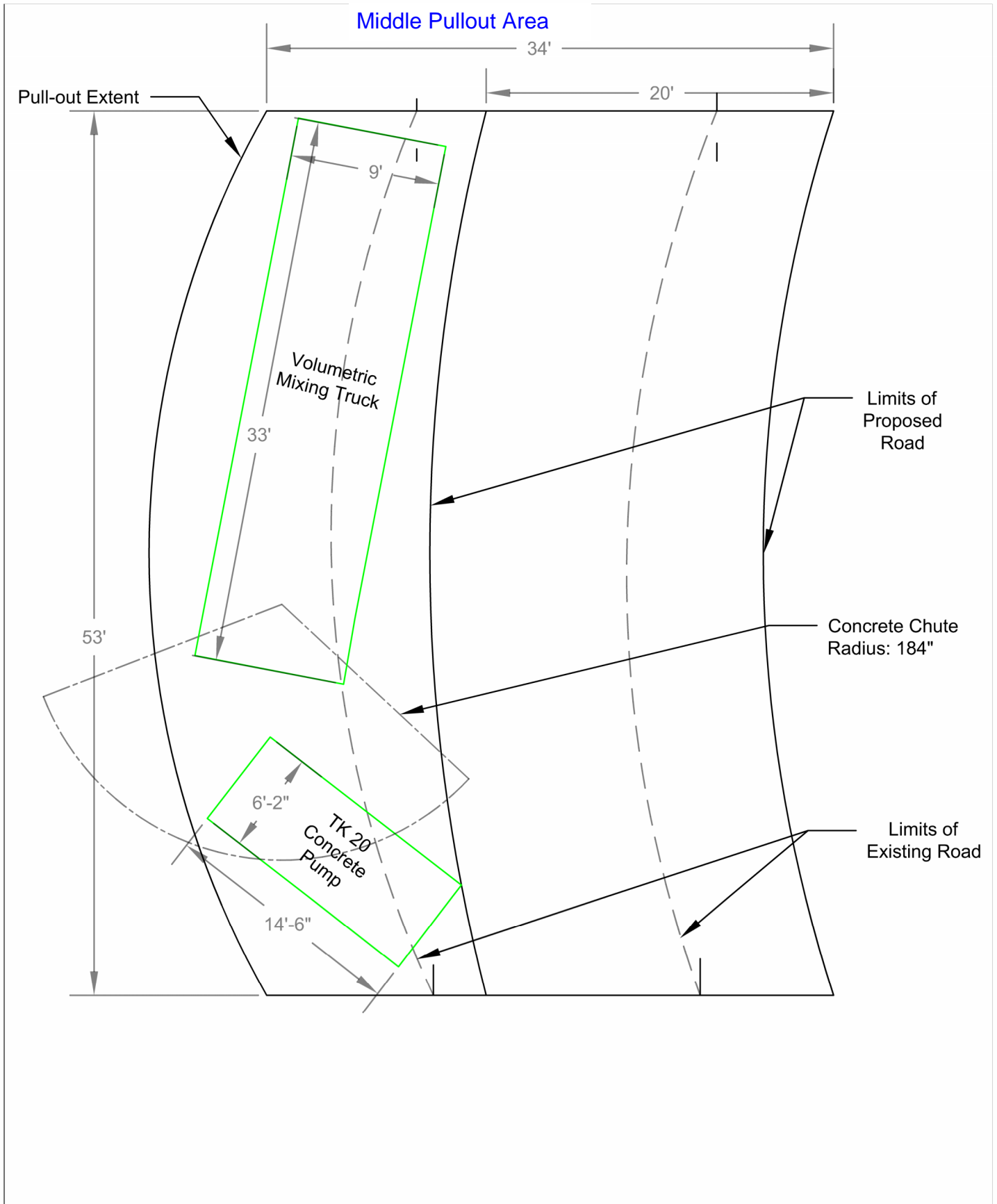


Imagery ©2026 Airbus, Maxar Technologies, Map data ©2026 200 ft

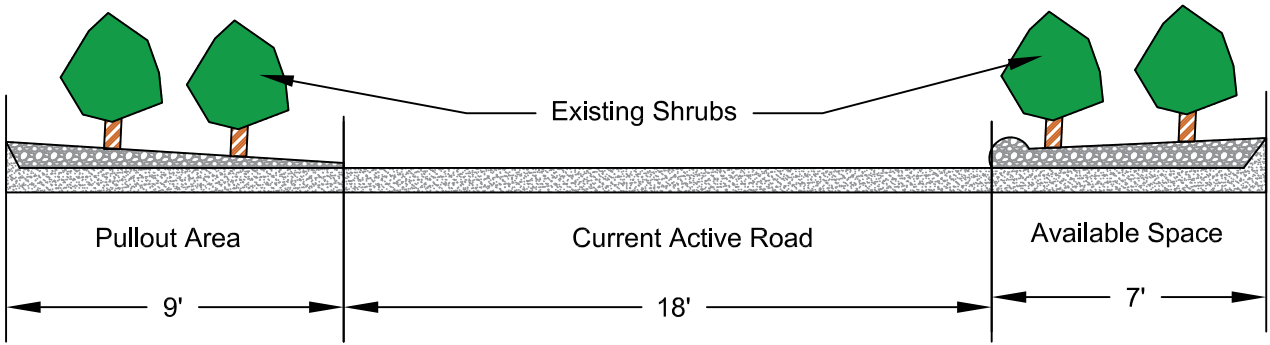


DRAWN BY	DESIGNED BY	CHECKED BY
MT		
PROJECT NO.		
DATE: 03/23/26		
REVISIONS		DATE

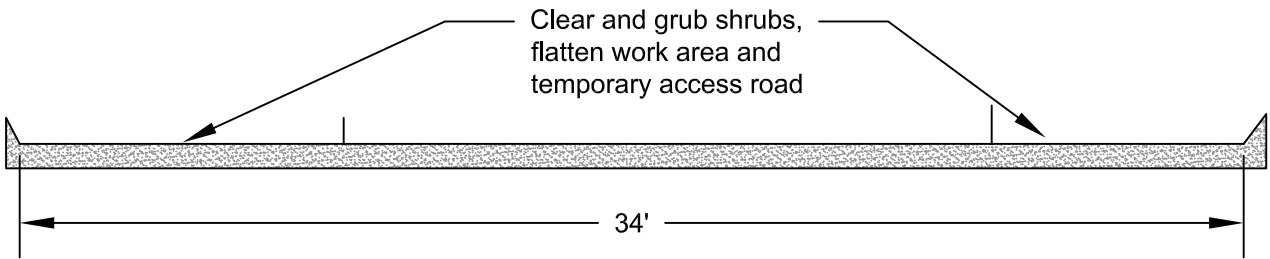
Yankee Canyon - Mixing Truck and Access Road Plan View

Middle Pullout Area

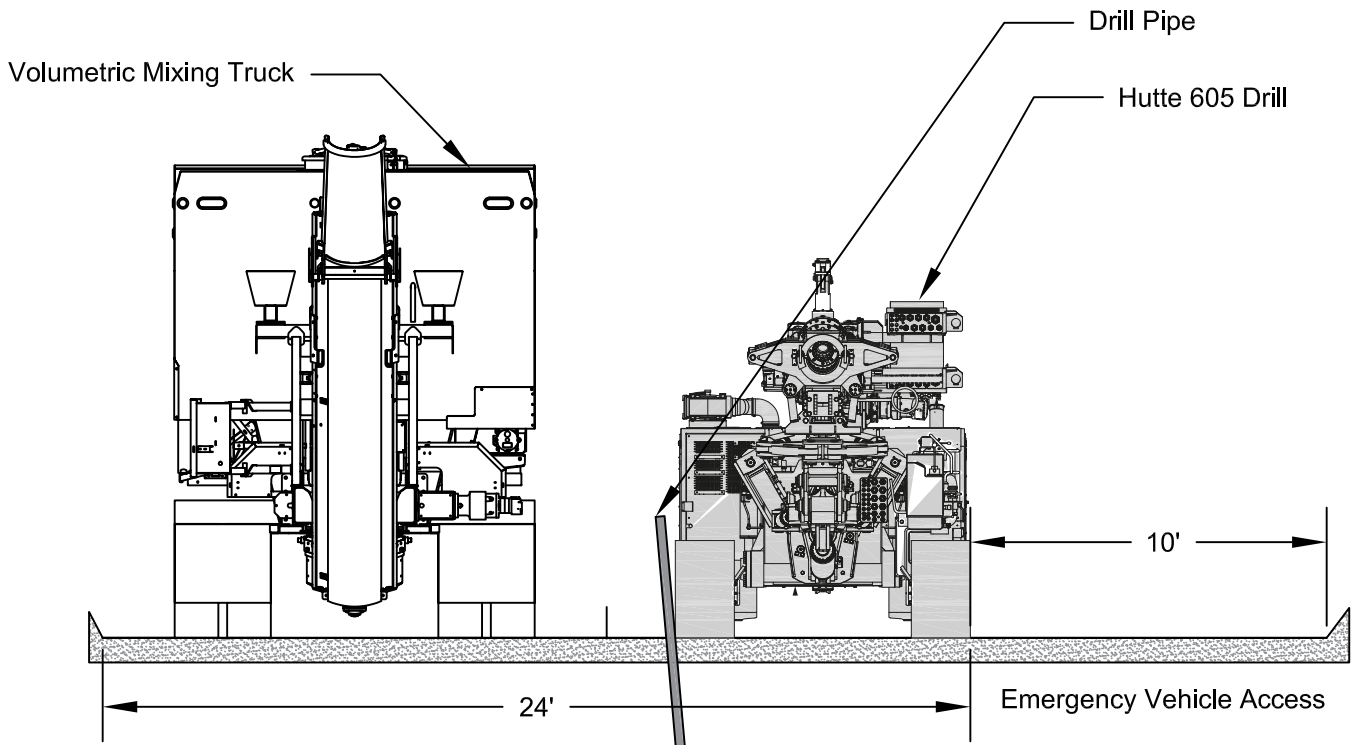
Existing Conditions - Section View



Conditions Post Clearing - Section View



Conditions Post Clearing w/ Equipment - Section View



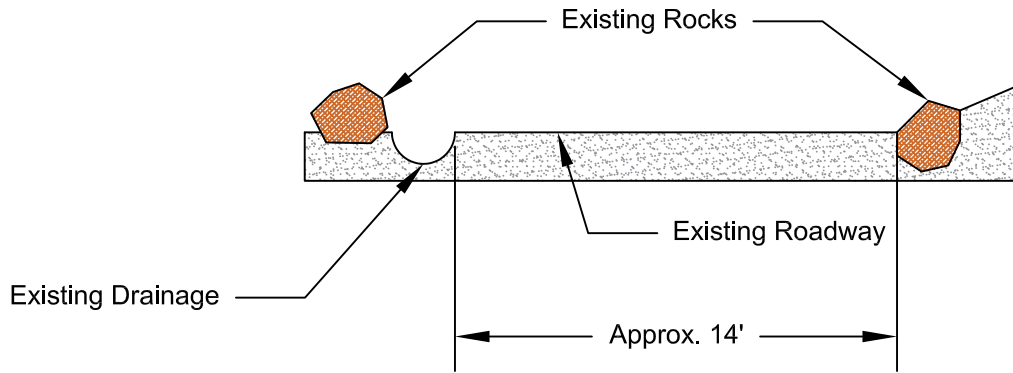
DRAWN BY	DESIGNED BY	CHECKED BY
MT		
PROJECT NO:		
DATE:03/23/26		
REVISIONS		DATE

Yankee Canyon - Mixing Truck and Access Road Section View

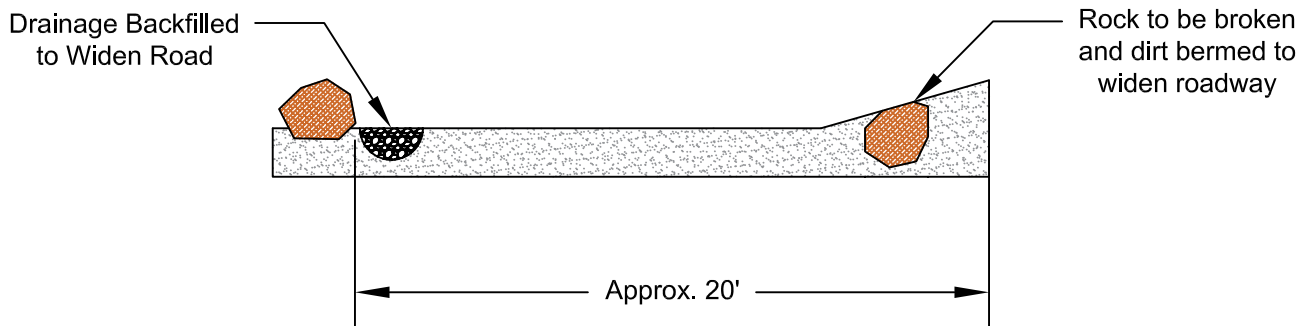
Middle Pullout Area



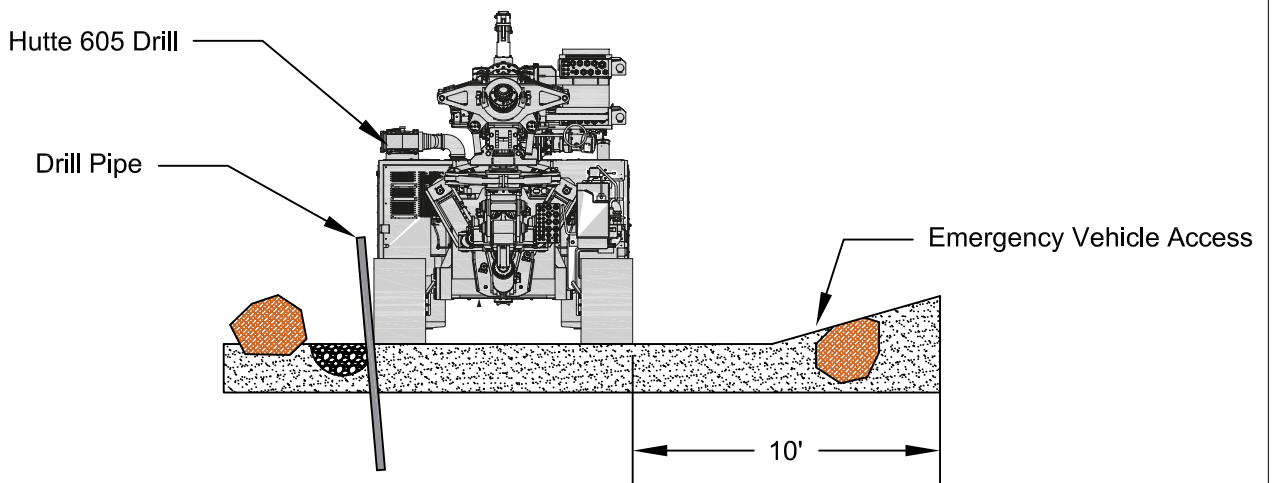
Existing Road Conditions



Modified Road Conditions

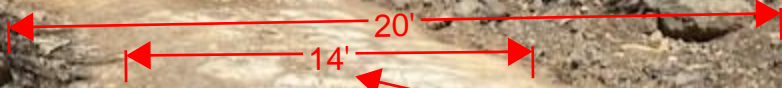


Modified Road Conditions with Drill



DRAWN BY	DESIGNED BY	CHECKED BY
MT		
PROJECT NO:		
DATE:03/23/26		
REVISIONS		DATE

Yankee Canyon - Narrowest Road Conditions Section View



Typical Road Width