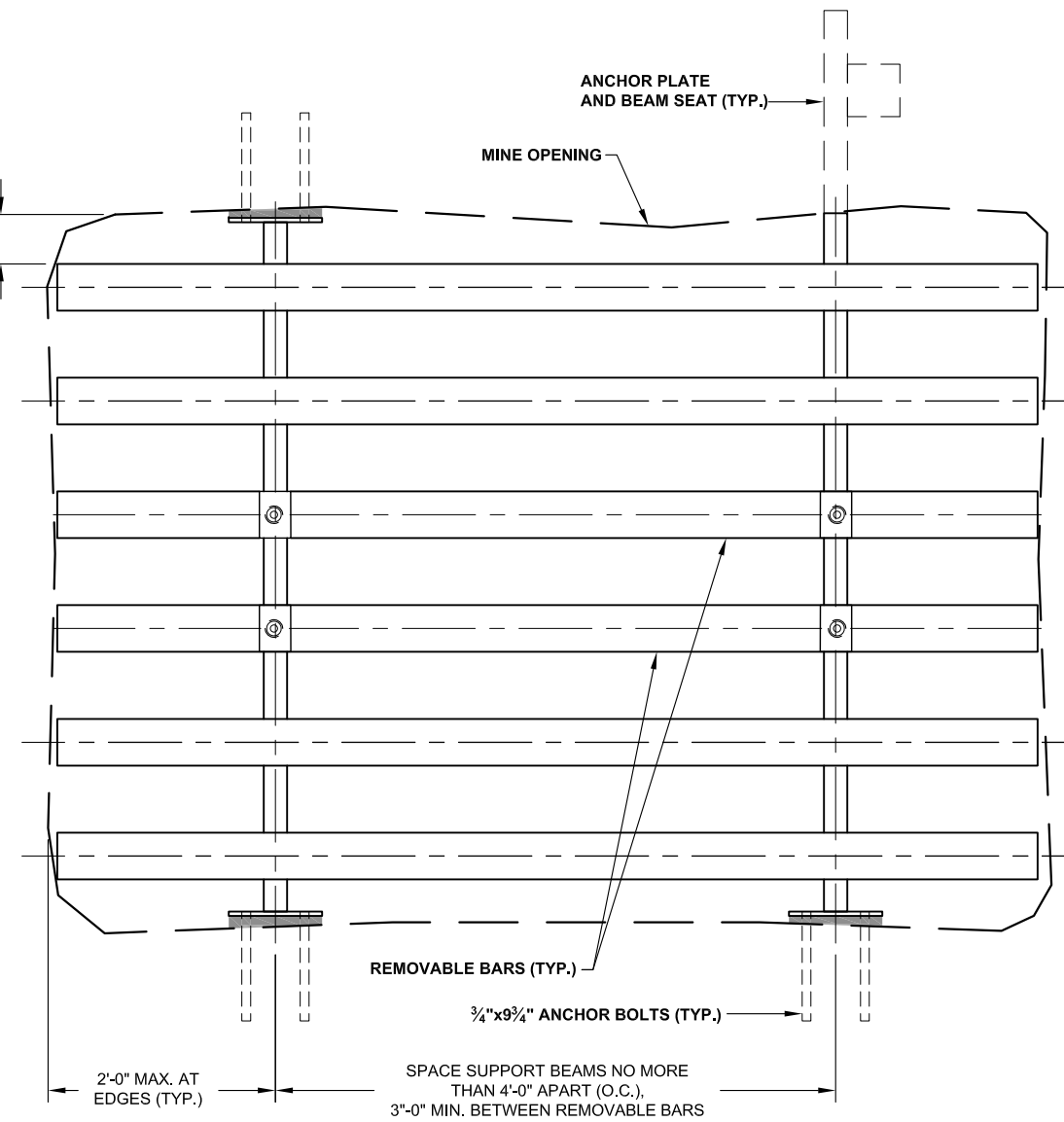


EXAMPLE MINE OPENING 1 - PLAN VIEW

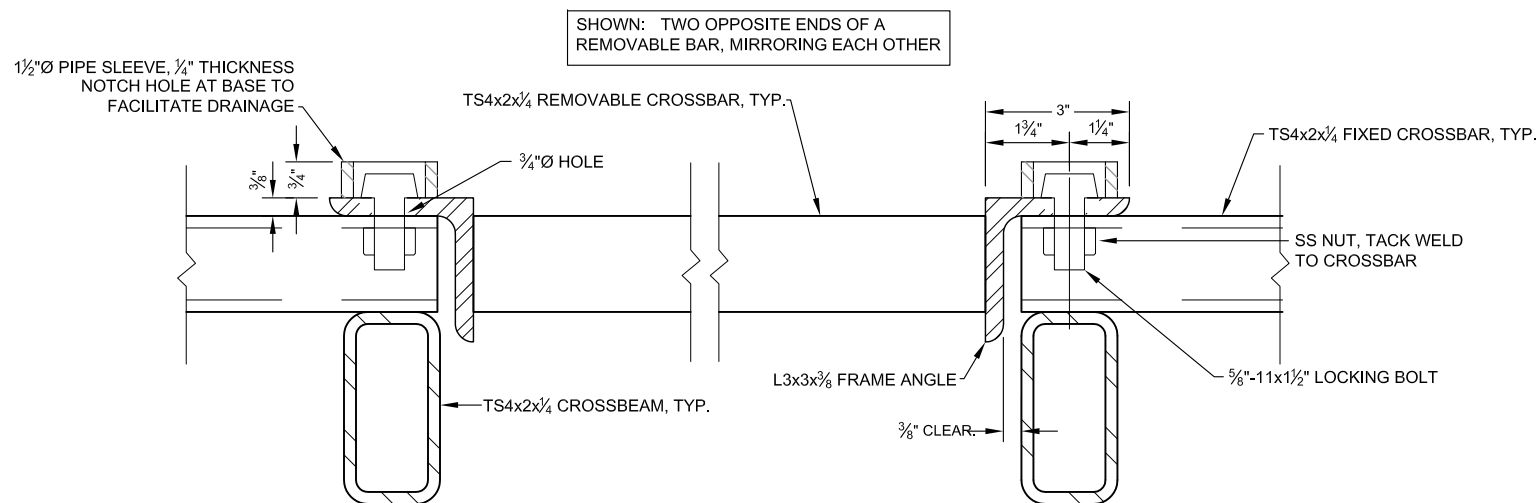
SCALE: 3/4" = 1'-0"



EXAMPLE MINE OPENING 2 - PLAN VIEW

SCALE: 3/4" = 1'-0"

CAUTION - THIS PROJECT REQUIRES CONSTRUCTION WORK IN, AROUND, AND OVER HAZARDOUS AND UNPROTECTED MINE SHAFTS, STOPS, ADITS, AND OTHER OPENINGS WHICH MAY BE OPEN TO THE SURFACE OR HIDDEN FROM VIEW BY TRASH, DEBRIS, OR THIN AND UNSTABLE LAYERS OF SURFACE MATERIALS OR ROCK. THE CONSTRUCTOR SHALL BE RESPONSIBLE FOR THOROUGHLY INVESTIGATING THE SITE CONDITIONS AND SCHEDULING EQUIPMENT, EQUIPMENT OPERATIONS, PERSONNEL AND SAFETY PROCEDURES TO PREVENT ACCIDENTS AND INJURIES.



SECTION - REMOVABLE BAR

SCALE: 3" = 1'-0"

GENERAL NOTES:

1. THIS DRAWING SHOWS TWO EXAMPLE MINE OPENINGS AND THE CORRESPONDING LAYOUTS OF THE STEEL CLOSURE. THE DRAWING SHALL BE USED AS A GUIDE FOR FIELD LAYOUT. DETERMINE THE ACTUAL LAYOUTS AND DIMENSIONS OF THE CLOSURES IN THE FIELD PRIOR TO FABRICATION.
2. INSTALL HORIZONTAL BAT GATES AS CLOSE TO THE TOP OF THE SHAFT OPENINGS AS POSSIBLE, WHERE THE ROCK AT THE GATE LOCATIONS IS FULLY COMPETENT AND THE ANCHORS ARE PLACED AT LEAST 10" BELOW THE TOP OF THE ROCK.
3. REMOVE LOOSE ROCK AT CLOSURES PRIOR TO FABRICATION AND FIELD ERECTION OF THE CLOSURES. MINIMIZE THE AMOUNT OF ROCK AND OTHER DEBRIS THAT FALL INTO THE MINE OPENINGS DURING CONSTRUCTION. PULL LOOSE MATERIAL UP AND AWAY FROM THE MINE AREA.
4. USE BEAM SUPPORTS OR BEAM SEATS, AT CONTRACTOR'S DISCRETION AND APPROVAL FROM THE PROJECT MANAGER, TO FASTEN BEAM ENDS TO COMPETENT ROCK.
5. UNLESS OTHERWISE ACCEPTED BY THE PROJECT ENGINEER, PLACE TS BEAMS ACROSS THE SPAN (WIDTH) OF THE SHAFT OPENING.
6. INSTALL SURVEY MARKER (SUPPLIED BY AML PROGRAM) INTO CONCRETE OR ADJACENT COMPETENT ROCK AS DIRECTED BY THE PROJECT MANAGER.

ABANDONED MINE LAND PROGRAM		
MINING AND MINERALS DIVISION NEW MEXICO ENERGY, MINERALS, AND NATURAL RESOURCES DEPARTMENT		
SCALE: AS SHOWN	VARIOUS LOCATIONS	DRAWN BY: MWT
DATE:		REVISED BY:
HORIZONTAL BAT GATE CLOSURE		
FILE:	COOKES PEAK WEST MINE SAFEGUARD PROJECT-PH.II	FIGURE: 5