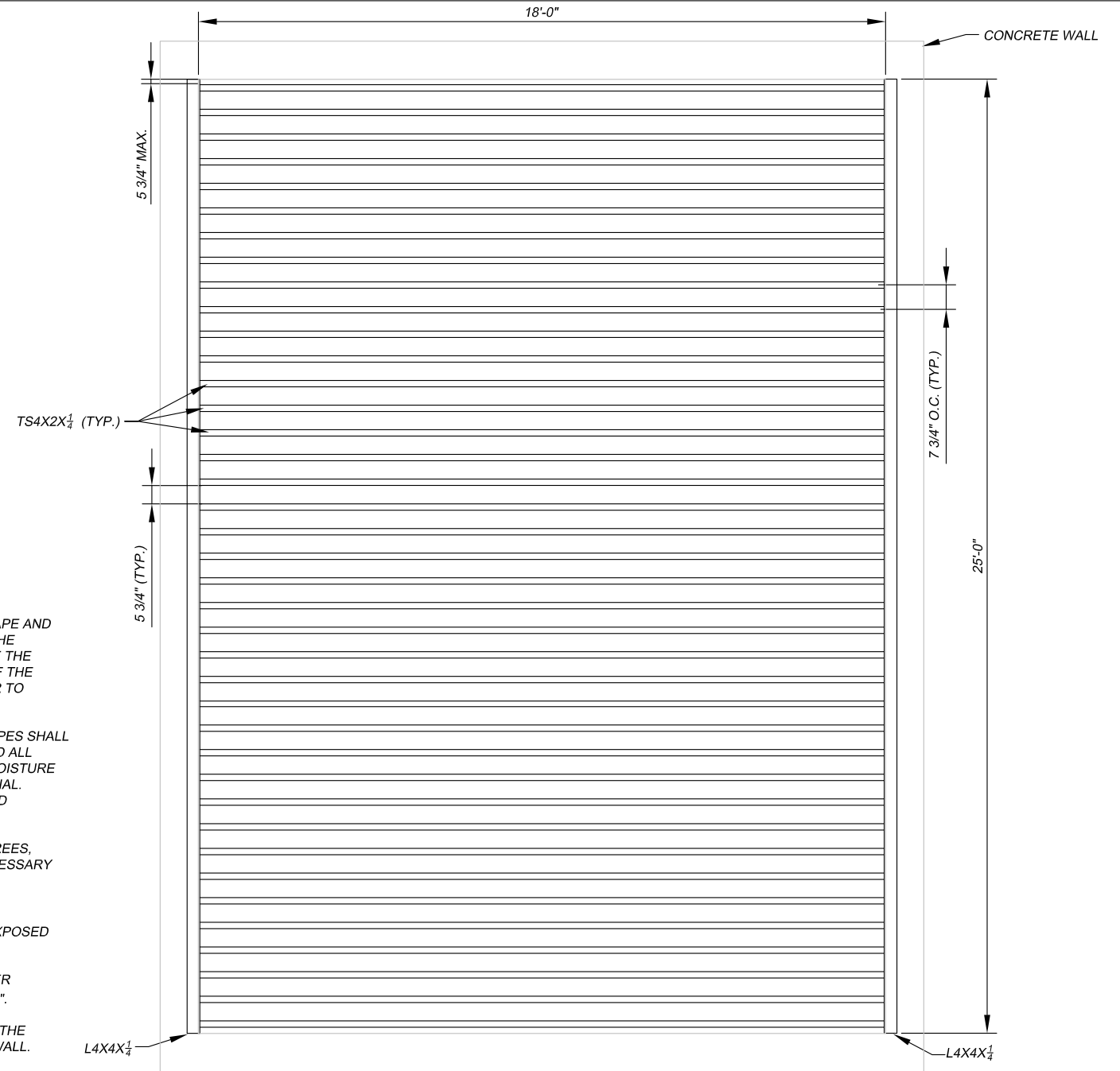


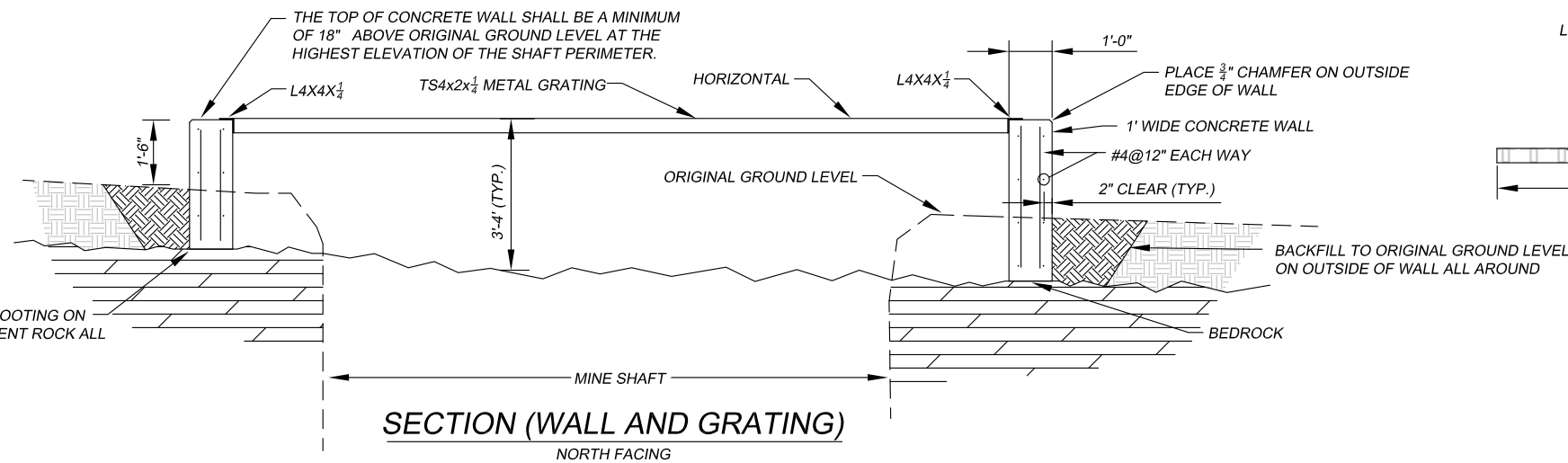
ELEVATION (WALL)
GRATING NOT SHOWN

GENERAL NOTES:

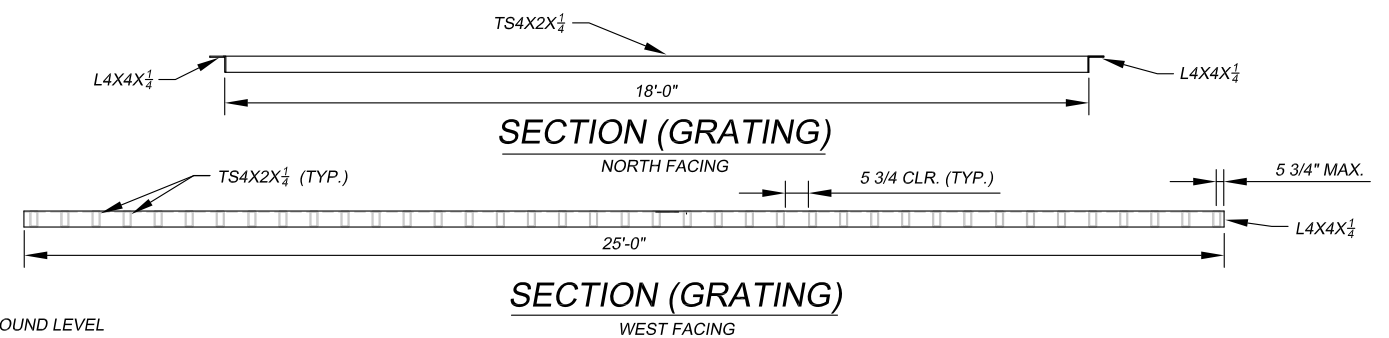
1. THIS DRAWING SHOWS THE GENERAL SHAPE AND APPROXIMATE PROFILE OF THE SHAFT AT THE INTENDED LOCATION OF THE CLOSURE. USE THE DRAWING AS A GUIDE FOR FIELD LAYOUT OF THE CLOSURE. FIELD VERIFY DIMENSIONS PRIOR TO FABRICATION.
2. TUBULAR STEEL, STEEL PLATES, AND SHAPES SHALL BE WEATHERING STEEL AS SPECIFIED. WELD ALL JOINTS. JOINTS SHALL BE TIGHT SO THAT MOISTURE CANNOT ENTER BETWEEN PLYS OF MATERIAL. ROUND OR CHAMFER ALL SHARP EDGES AND CORNERS.
3. THE CONTRACTOR SHALL REMOVE ALL TREES, VEGETATION AND LOOSE MATERIAL AS NECESSARY TO INSTALL THE CONCRETE WALL ON SOLID BEDROCK.
4. PLACE A $\frac{3}{4}$ " CHAMFER ON THE OUTSIDE EXPOSED EDGES OF CONCRETE WALL.
5. TOLERANCES ON THE CENTER-TO-CENTER DIMENSIONS BETWEEN POSTS SHALL BE $\pm \frac{1}{16}$ ".
6. PLACE A SURVEY MARKER, PROVIDED BY THE PROJECT MANAGER, INTO THE CONCRETE WALL.



ELEVATION (GRATING)



SECTION (WALL AND GRATING)
NORTH FACING



SECTION (GRATING)
NORTH FACING

SECTION (GRATING)
WEST FACING

ABANDONED MINE LAND PROGRAM		
MINING AND MINERALS DIVISION		
<small>ENERGY, MINERALS AND NATURAL RESOURCES DEPARTMENT</small>		
SCALE: $\frac{1}{4}$ " = 1'-0"	SHAFT 598-37	DRAWN BY: JTG
DATE: OCT. 30, 2012		REVISED:
WALL AND GRATING DETAILS		
Cleveland Mine Safeguard Project		DRAWING NUMBER: FIGURE 10