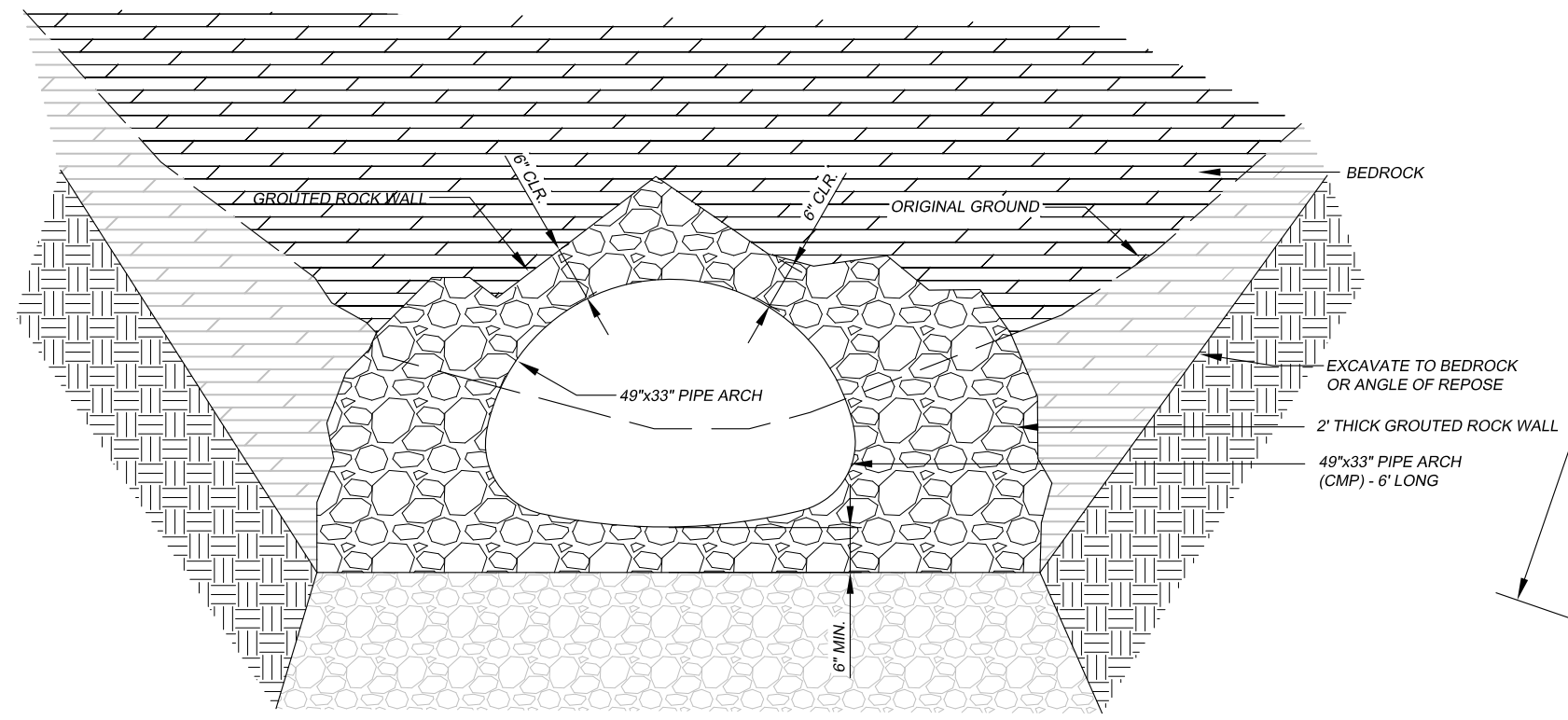
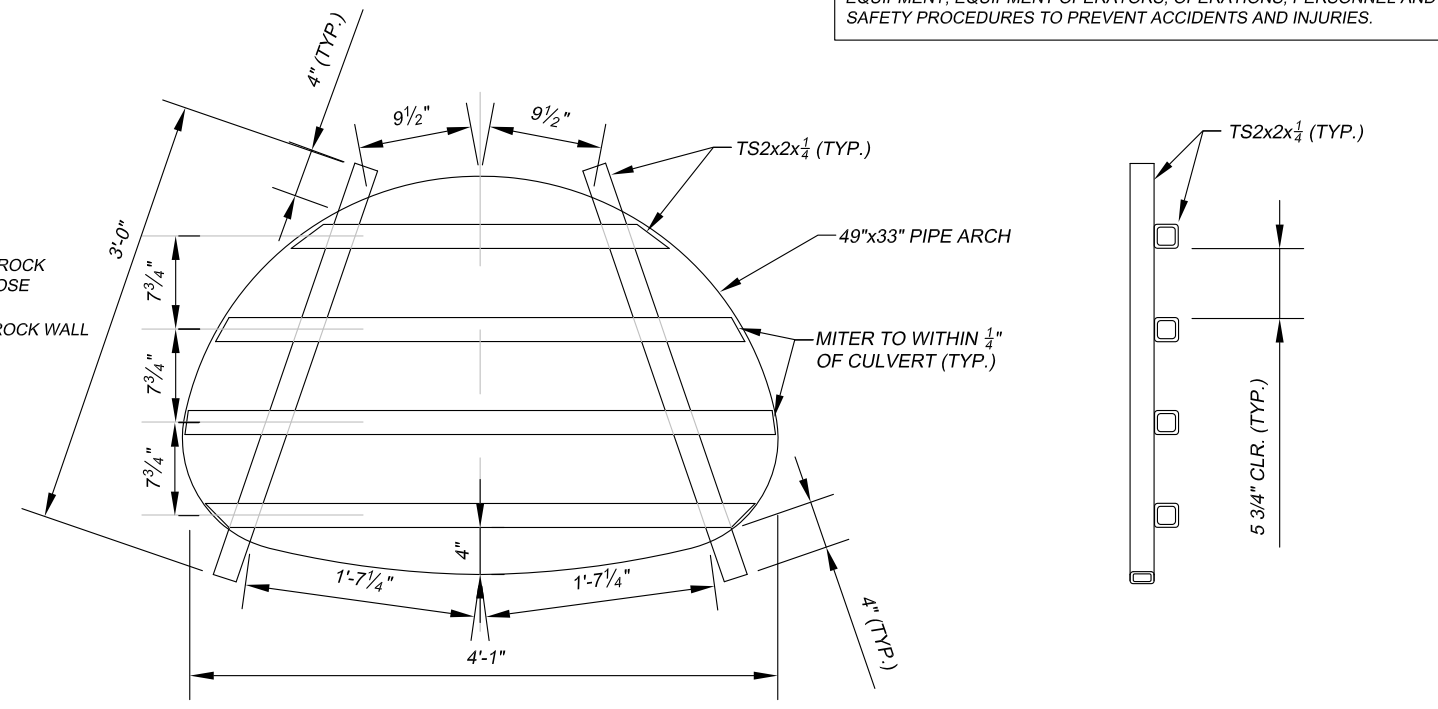


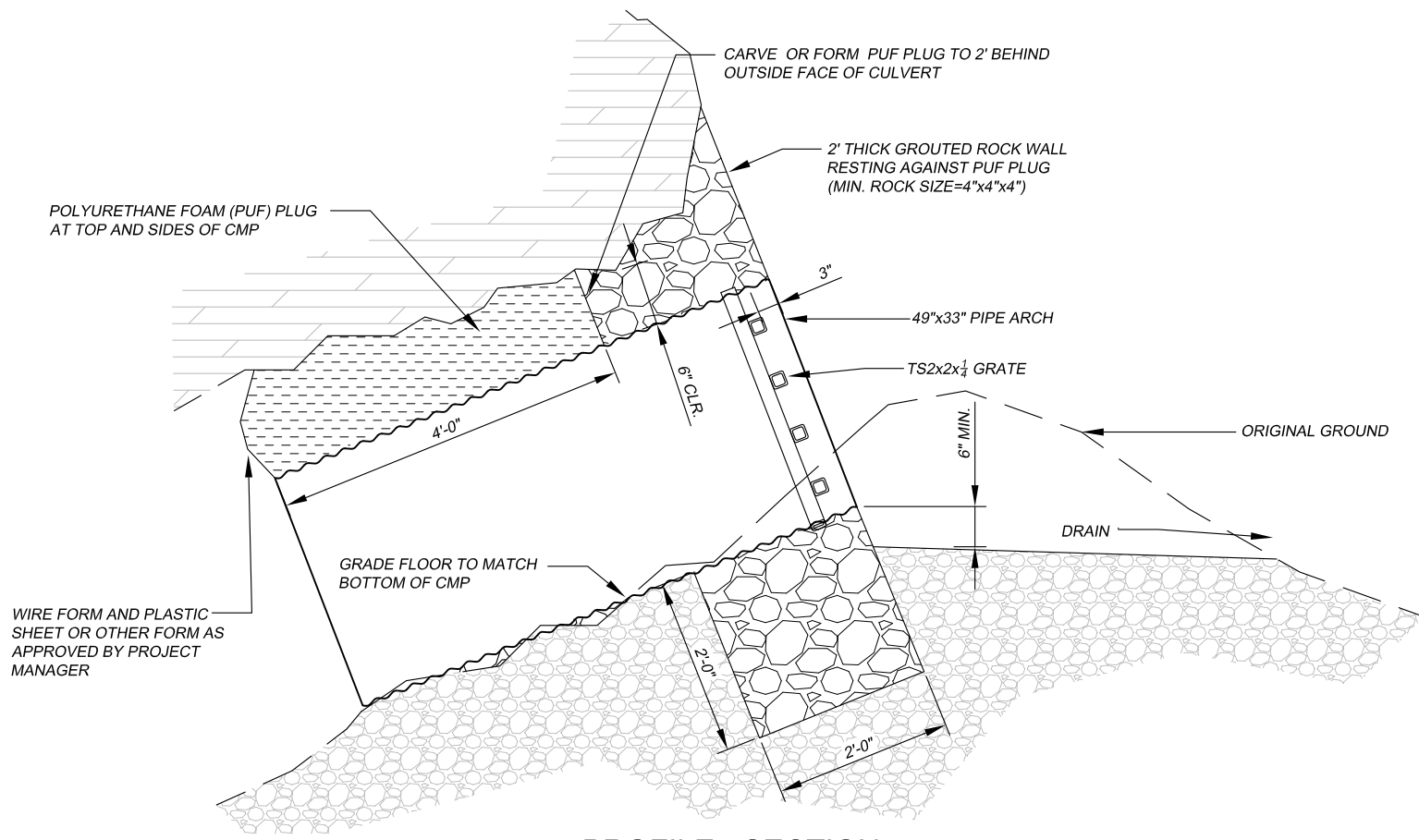
CAUTION - THIS PROJECT REQUIRES CONSTRUCTION WORK IN, AROUND, AND OVER HAZARDOUS AND UNPROTECTED MINE SHAFTS, STOPES, ADITS, HIGHWALLS, AND OTHER FEATURES WHICH MAY BE UNSTABLE. THE CONTRACTOR SHALL BE RESPONSIBLE FOR THOROUGHLY INVESTIGATING THE SITE CONDITIONS AND SCHEDULING EQUIPMENT, EQUIPMENT OPERATORS, OPERATIONS, PERSONNEL AND SAFETY PROCEDURES TO PREVENT ACCIDENTS AND INJURIES.



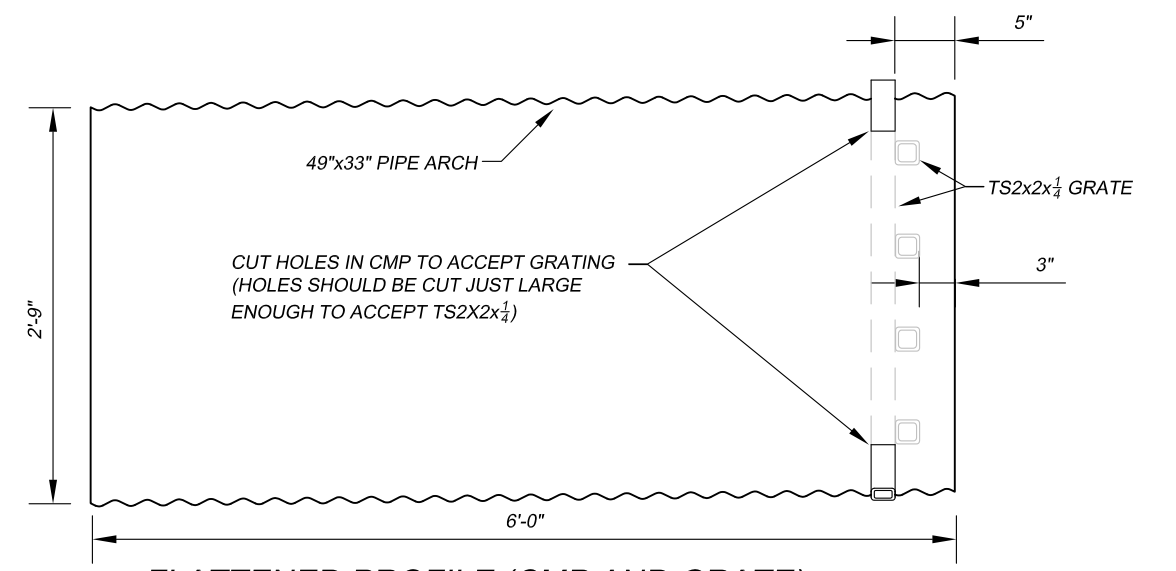
ELEVATION (GRATE NOT SHOWN)
SCALE: 1/2" = 1'-0"



FLATTENED ELEVATION (CMP AND GRATE) SCALE: 3/4" = 1'-0"
FLATTENED PROFILE (GRATE) SCALE: 3/4" = 1'-0"



PROFILE - SECTION
SCALE: 1/2" = 1'-0"



FLATTENED PROFILE (CMP AND GRATE)
SCALE: 3/4" = 1'-0"

GENERAL NOTES:

1. THIS DRAWING SHOWS THE GENERAL SHAPE AND APPROXIMATE PROFILE OF THE ADIT AT THE INTENDED LOCATION OF THE CLOSURE. USE THE DRAWING AS A GUIDE FOR FIELD LAYOUT OF THE CLOSURE. FIELD VERIFY DIMENSIONS PRIOR TO CONSTRUCTION.
2. TUBULAR STEEL, STEEL PLATES, AND SHAPES SHALL BE WEATHERING STEEL AS SPECIFIED. WELD ALL JOINTS. JOINTS SHALL BE TIGHT SO THAT MOISTURE CANNOT ENTER BETWEEN PLYS OF MATERIAL. ROUND OR CHAMFER ALL SHARP EDGES AND CORNERS.
3. TOLERANCES ON THE CENTER-TO-CENTER DIMENSIONS BETWEEN POSTS SHALL BE ±1/8".
4. PLACE A SURVEY MARKER, PROVIDED BY THE PROJECT MANAGER, INTO THE TOP OF THE GROUTED WALL.

ABANDONED MINE LAND PROGRAM MINING AND MINERALS DIVISION ENERGY, MINERALS AND NATURAL RESOURCES DEPARTMENT		
SCALE: AS SHOWN	ADIT 597-64	DRAWN BY: JTG
DATE: DEC. 5, 2012		REVISED:
CMP/PUF PLUG/GROUTED ROCK		
Cleveland Mine Safeguard Project		DRAWING NUMBER: FIGURE 13