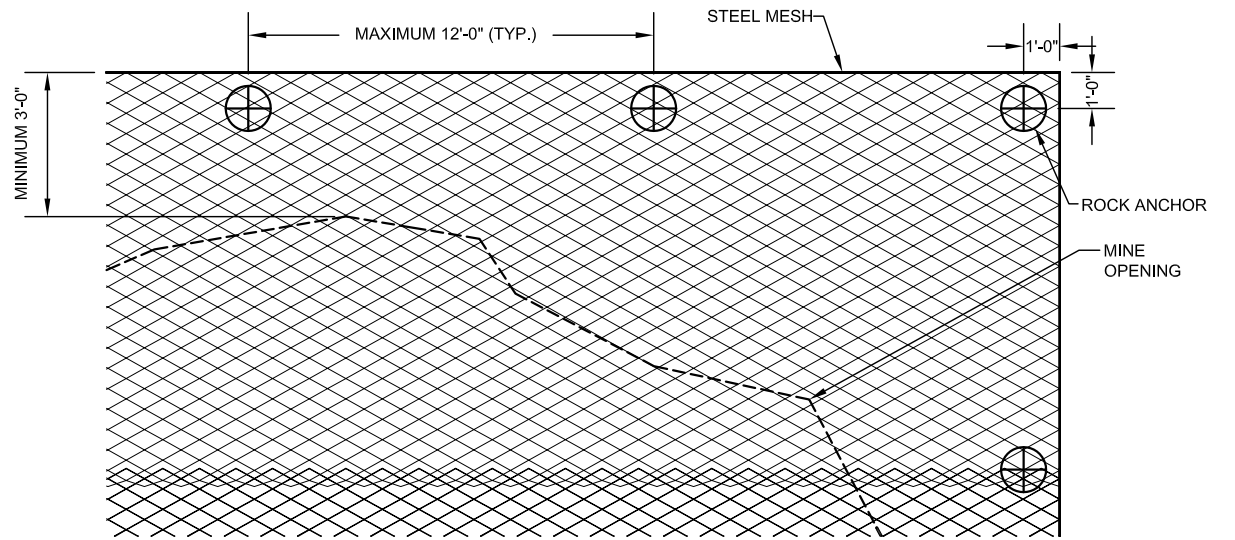


MESH LOCATIONS

LOCATION	MINE OPENING (FT)	APPROX. MESH NEEDED (SQ. FT.)	APPROX. NO. OF ANCHORS NEEDED
8-1	8' x 4'	460	6
8-5	8' x 8'	575	6
6-153	9' x 6'	1035	10

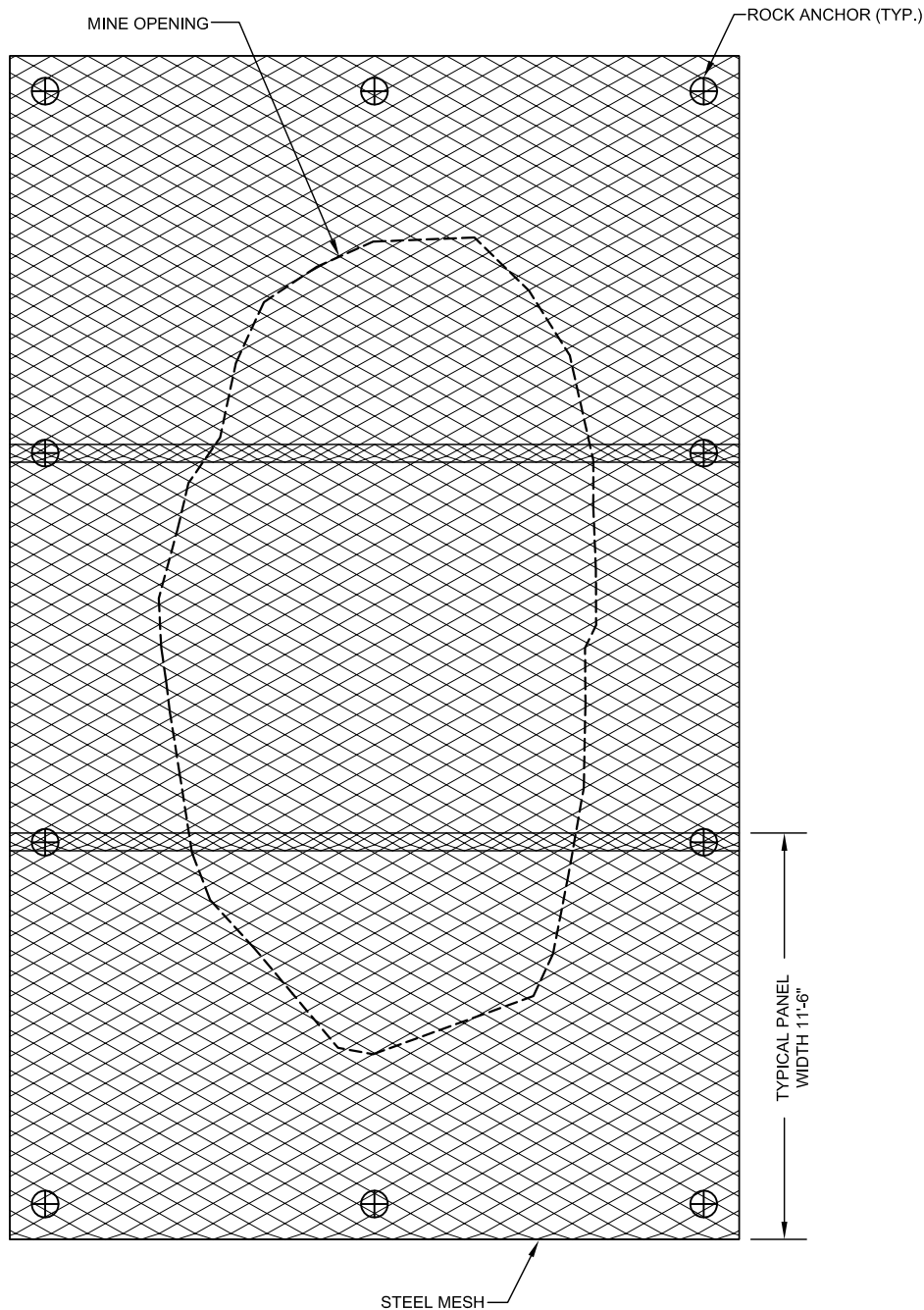
GENERAL NOTES:

1. THE LOCATION AND DIMENSIONS INDICATED FOR THE STEEL MESH AND MINE OPENING ARE APPROXIMATE. ADJUST THE POSITION AND AREA OF THE MESH FOR FIELD CONDITIONS.
2. THE ROCK ANCHOR LOCATIONS INDICATED ARE PRELIMINARY. ADJUST LOCATIONS AND NUMBER OF ANCHORS TO FIT FIELD CONDITIONS. ANCHORS SHALL BE SPACED NO MORE THAN TWELVE FEET FROM THE NEAREST ANCHOR. LOCATE ANCHORS TO AVOID THIN ROCK BACK OF STOPE OPENING BELOW, AT MESH INSTALLATION CORNERS, ALONG MESH EDGES, AND AS REQUIRED TO SNUG THE MESH ONTO THE GROUND SURFACE.
3. PULL BACK WASTE PILES FROM THE STOPE PERIMETER AS NEEDED TO ALLOW FOR THE PROPER INSTALLATION OF THE MESH. REGRADE THE MOVED MATERIAL AS DIRECTED BY THE PROJECT MANAGER TO BLEND IN WITH THE EXISTING WASTE PILES. MINIMIZE THE AMOUNT OF MATERIAL THAT FALLS INTO THE STOPE OPENING.
4. WHERE THE STEEL MESH IS PLACED OVER THE EXISTING GROUND, COVER THE MESH WITH AT LEAST TWO INCHES OF WASTE ROCK MATERIAL AS DIRECTED BY THE PROJECT MANAGER.
5. ESTIMATED LENGTHS DO NOT ACCOUNT FOR SAG OF MESH.
6. INSTALL SURVEY CAP IN ACCORDANCE WITH SECTION 02890.



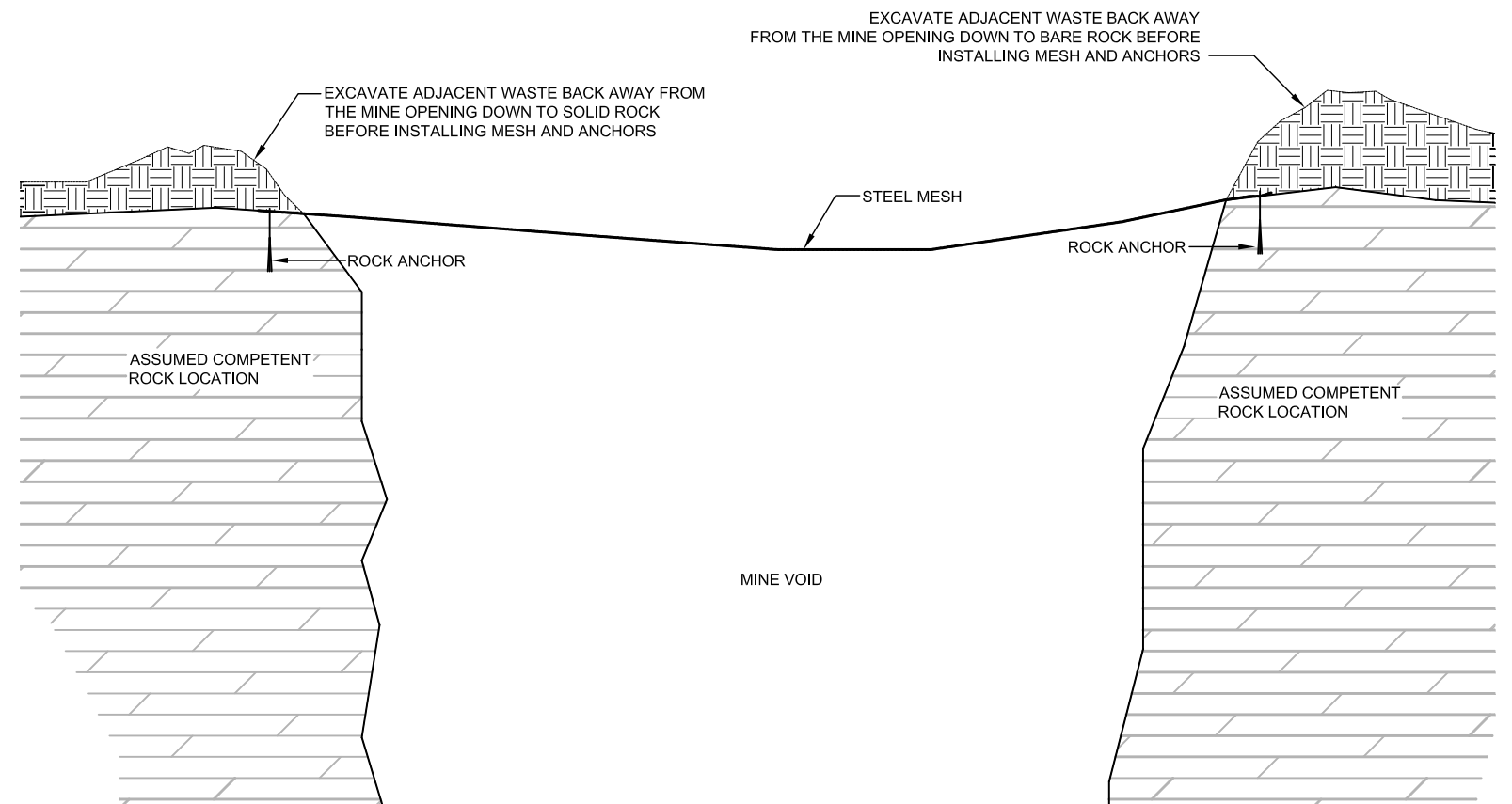
ANCHOR PLACEMENT DETAIL - PLAN VIEW

SCALE: 3/16" = 1'-0"



MESH LAYOUT - PLAN VIEW

SCALE: 3/16" = 1'-0"



SECTION VIEW

SCALE: 1/8" = 1'-0"

CAUTION - THIS PROJECT REQUIRES CONSTRUCTION WORK IN, AROUND, AND OVER HAZARDOUS AND UNPROTECTED MINE SHAFTS, STOPS, ADITS, AND OTHER OPENINGS WHICH MAY BE OPEN TO THE SURFACE OR HIDDEN FROM VIEW BY TRASH, DEBRIS, OR THIN AND UNSTABLE LAYERS OF SURFACE MATERIALS OR ROCK. THE CONSTRUCTOR SHALL BE RESPONSIBLE FOR THOROUGHLY INVESTIGATING THE SITE CONDITIONS AND SCHEDULING EQUIPMENT, EQUIPMENT OPERATIONS, PERSONNEL AND SAFETY PROCEDURES TO PREVENT ACCIDENTS AND INJURIES.

ABANDONED MINE LAND PROGRAM MINING AND MINERALS DIVISION NEW MEXICO ENERGY, MINERALS, AND NATURAL RESOURCES DEPARTMENT			
SCALE: AS SHOWN	VARIOUS LOCATIONS	DRAWN BY: MWT	
DATE:		REVISED BY:	
STEEL MESH CLOSURE			
FILE:	CERRILLOS CENT./BONANZA CREEK MINE SAFEGUARD PRJ - PH. III	FIGURE: 13	