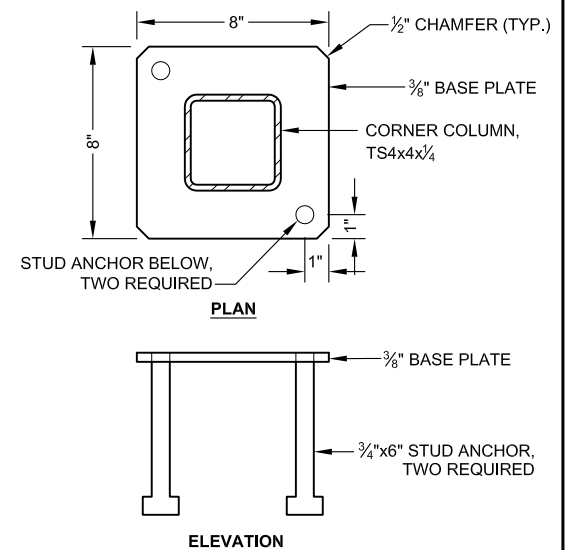
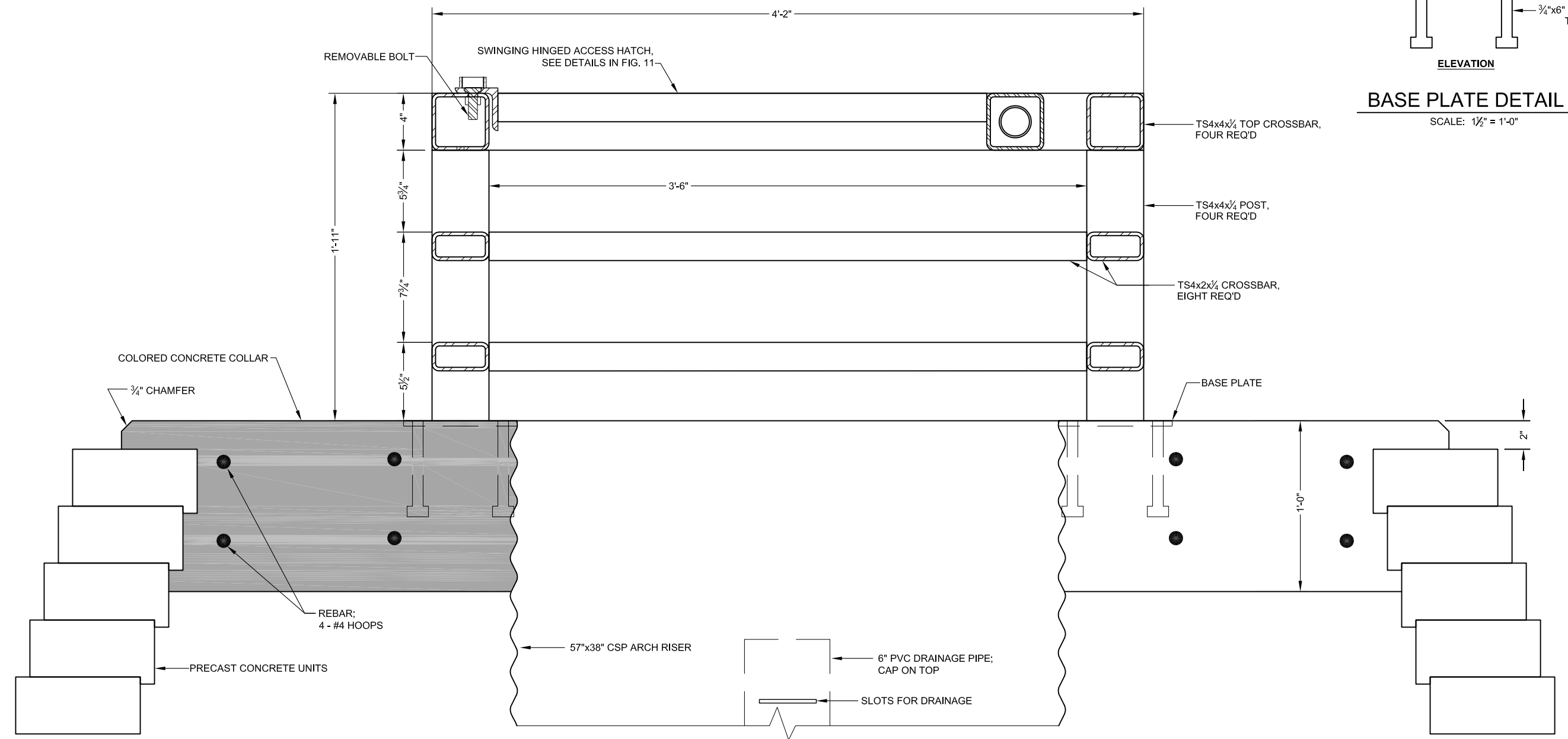


**GENERAL NOTES:**

1. STEEL PLATES, SHAPES AND BARS SHALL BE WEATHERING STEEL. WELD ALL JOINTS. CONSTRUCT THE CUPOLA AND HATCH ASSEMBLY TO ELIMINATE SURFACES ON WHICH MOISTURE OR DEBRIS CAN BE TRAPPED. PLIES OF MATERIAL SHALL BE TIGHT TO PREVENT THE INCURSION OF MOISTURE. ALL TUBULAR MEMBERS SHALL BE HERMETICALLY SEALED TO PREVENT THE INCURSION OF MOISTURE, EXCEPT AS OTHERWISE NOTED. ROUND OR CHAMFER ALL EXPOSED SHARP CORNERS AND EDGES.
2. AS AN ALTERNATIVE TO THE DRAINAGE PIPE, THE CONTRACTOR MAY OPT TO DRILL FOUR 1/4"-Ø DRAINAGE HOLES IN THE CSP DIRECTLY ABOVE THE TOP LEVEL OF POLYURETHANE FOAM AND THOROUGHLY COAT WITH A ZINC-RICH PAINT.
3. THE CONTRACTOR SHALL INSTALL THE SURVEY CAP INTO THE CONCRETE AS DIRECTED BY THE PROJECT MANAGER.



**BASE PLATE DETAIL**  
SCALE: 1 1/2" = 1'-0"



**TYPICAL SECTION OF CUPOLA**  
SCALE: 1 1/2" = 1'-0"

CAUTION - THIS PROJECT REQUIRES CONSTRUCTION WORK IN, AROUND, AND OVER EXISTING STRUCTURES. THE CONSTRUCTION OF THIS STRUCTURE MAY BE NEAR OR OVER EXISTING UTILITIES, WHICH MAY BE OPEN TO THE SURFACE OR HIDDEN FROM VIEW BY TRASH, DEBRIS, OR THIN AND UNSTABLE LAYERS OF SURFACE MATERIALS OR ROCK. THE CONTRACTOR SHALL BE RESPONSIBLE FOR IDENTIFYING AND MARKING ALL UTILITIES. THE CONTRACTOR SHALL SCHEDULE EQUIPMENT, OPERATIONS, PERSONNEL, AND SAFETY PROCEDURES TO PREVENT ACCIDENTS AND INJURIES.

<b>ABANDONED MINE LAND PROGRAM</b> MINING AND MINERALS DIVISION NEW MEXICO ENERGY, MINERALS, AND NATURAL RESOURCES DEPARTMENT		
SCALE: AS SHOWN	FEATURE 6-30	DRAWN BY: MWT
DATE:		REVISED BY:
CUPOLA DETAILS		
FILE:	CERRILLOS CENT./BONANZA CREEK MINE SAFEGUARD PROJECT Ph. III	FIGURE: 4